

Edition: 05/06 - subject to change

Supersedes: /
Status: valid

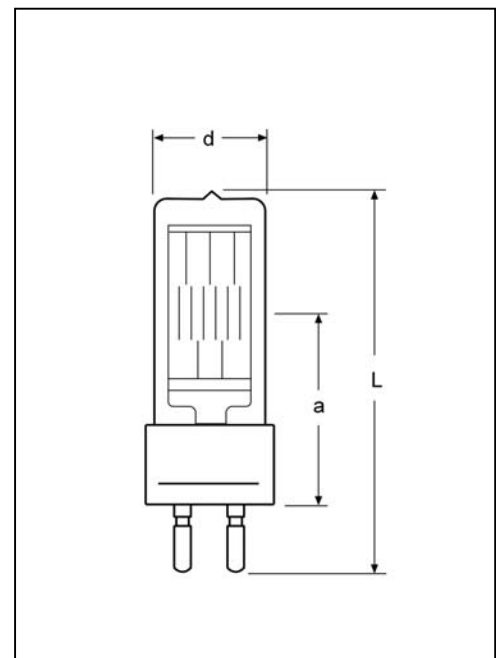
64747 (230/240V)

■ Product description

The OSRAM 64747 is mainly used for studio and theatre lighting as well as film production. This is a very popular lamp with G22 base and widely fitted into Frensel Spot luminaires.

■ Technical Data

Lamp / order reference		64747
ANSI		FKJ
LIF		CP/71
Rated lamp wattage	W	1000
Rated lamp voltage	V	230/240
Average life-time	h	200
Color temperature	K	3200
Luminous flux	lm	26000
Luminous efficiency	Lm/W	26.00
Base		G22
Diameter d	mm	25 ± 1
Lamp length L	mm	140 max.
LCL a	mm	63.5 ± 2
Filament dimensions (w x h)	mm	13 x 15
Type of filament		biplan



■ Lamp operation

Max. pinch seal temperature °C	400°C max.
Burning position	s90
Fuse protection	6A quick