

Technical Information

No. DO 5450

Edition: 02/06 - subject to change

Substitutes: /

Status: valid

PAR 64
Halogen lamp

64738

230/240V

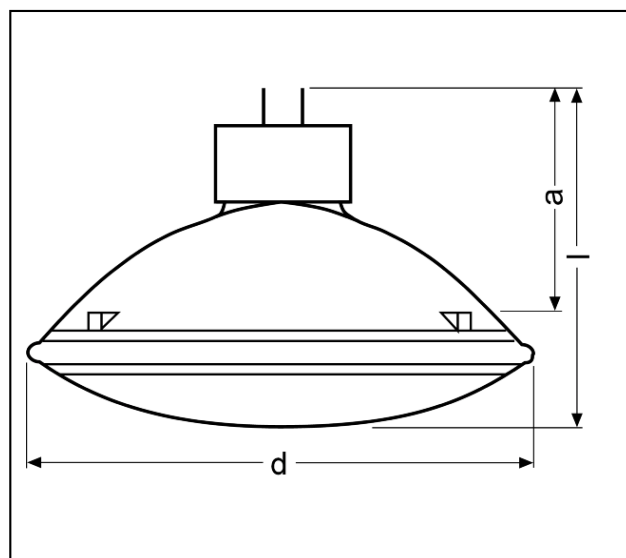
DISPONIBLE EN OSRAM, PHILIPS, GE y SYLVANIA

Product description

- Tungsten halogen lamp with a parabolic reflector for stage and show lighting
- The lamp is a sealed beam unit consisting of a burner, reflector and lens in one piece.
- Sealed beam means easy lamp replacement and secure lamp unit.
- "PAR" stands for **Parabolic Aluminized Reflector** and "64" represents the diameter of the reflector in eighths of an inch (=2,54cm).
- PAR lantern is simply a "can" (tin) with a PAR lamp, hence called "Parcan", especially suited for strong colours or for special effect.

Technical data

Order reference	64738/3	
ANSI	EXD	
LIF	CP61	
Application	Spot	
Rated lamp wattage	W	1000
Rated lamp voltage	V	230 ¹⁾
Average service life	h	300
Luminous intensity	cd	270000
Beam angle	°	11/24°
Base	GX16d	
Bulb diameter	mm	204
Lamp length (overall)	mm	152,4



¹⁾ The order reference for 240V is 64738/4

Lamp operation

Burning position	any	
Base/ pinch temperature	°C	max. 350

SILUJ S.L. C/La Raya 110 Pl.Trobajo del Camino. 24010 León(Spain) Tfno:(0034) 987 261 335 Fax:(0034) 987 263 860



Displav/Optic Berlin

