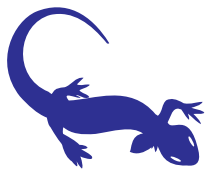
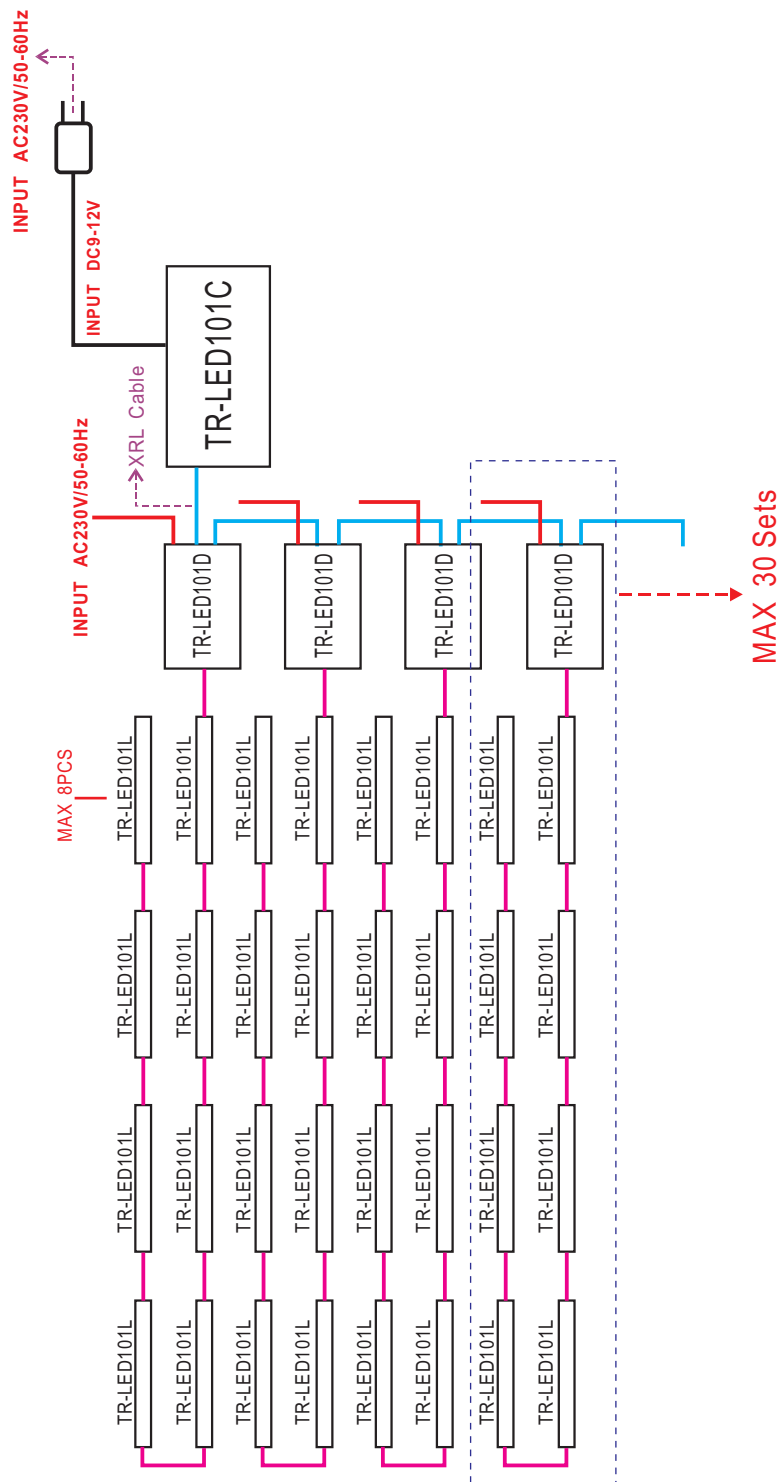


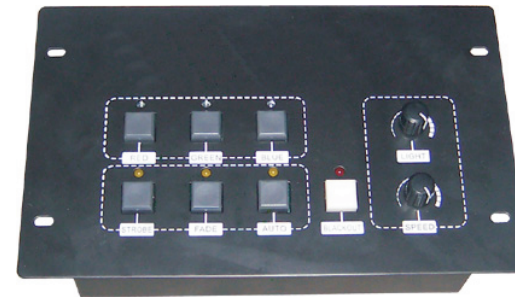
# TR-LED101C SYSTEM



# Triton Blue

USER MANUAL  
MANUAL DE USUARIO

TR-LED101C  
LED MODULE CONTROLLER



TR-LED101D  
LED MODULE DRIVE



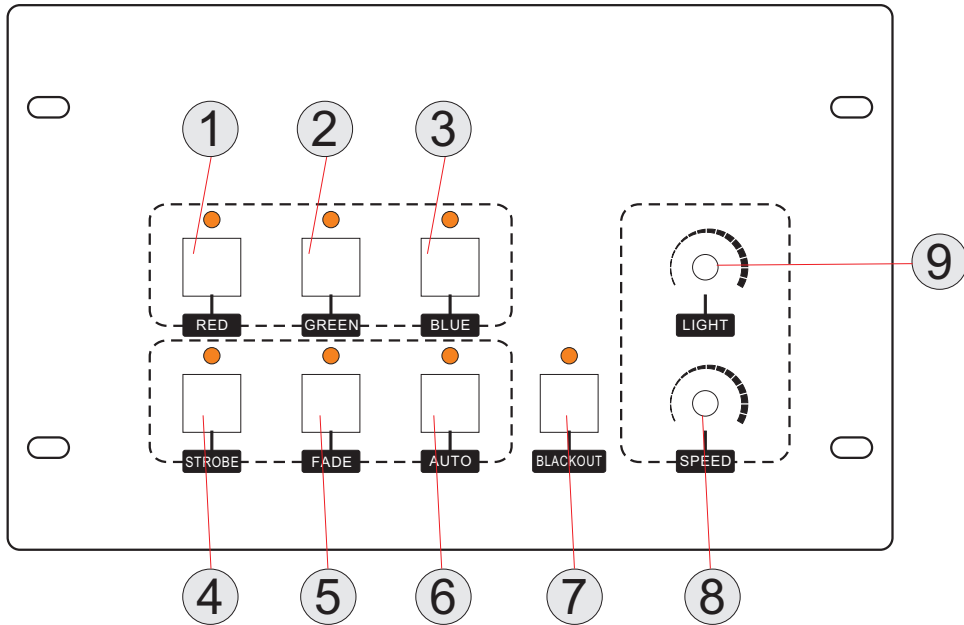
TR-LED101L  
LED MODULE PCB



Read kindly this user manual before using the machine  
Lea atentamente este manual antes de utilizar el aparato

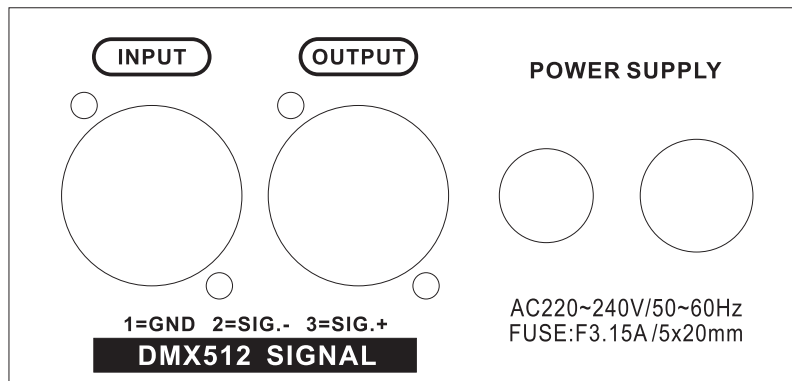
# TR-LED101C

LED MODULE CONTROLLER



- ① Red ON/OFF
- ② Green ON/OFF
- ③ Blue ON/OFF
- ④ Strobe
- ⑤ Fade in and Fade out
- ⑥ AUTO Change color
- ⑦ BLACKOUT
- ⑧ Timing
- ⑨ Dimmer

# TR-LED101D LED MODULE DRIVE



English

# TR-LED101L

LED MODULE PCB



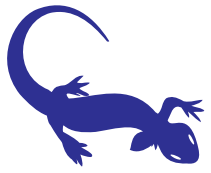
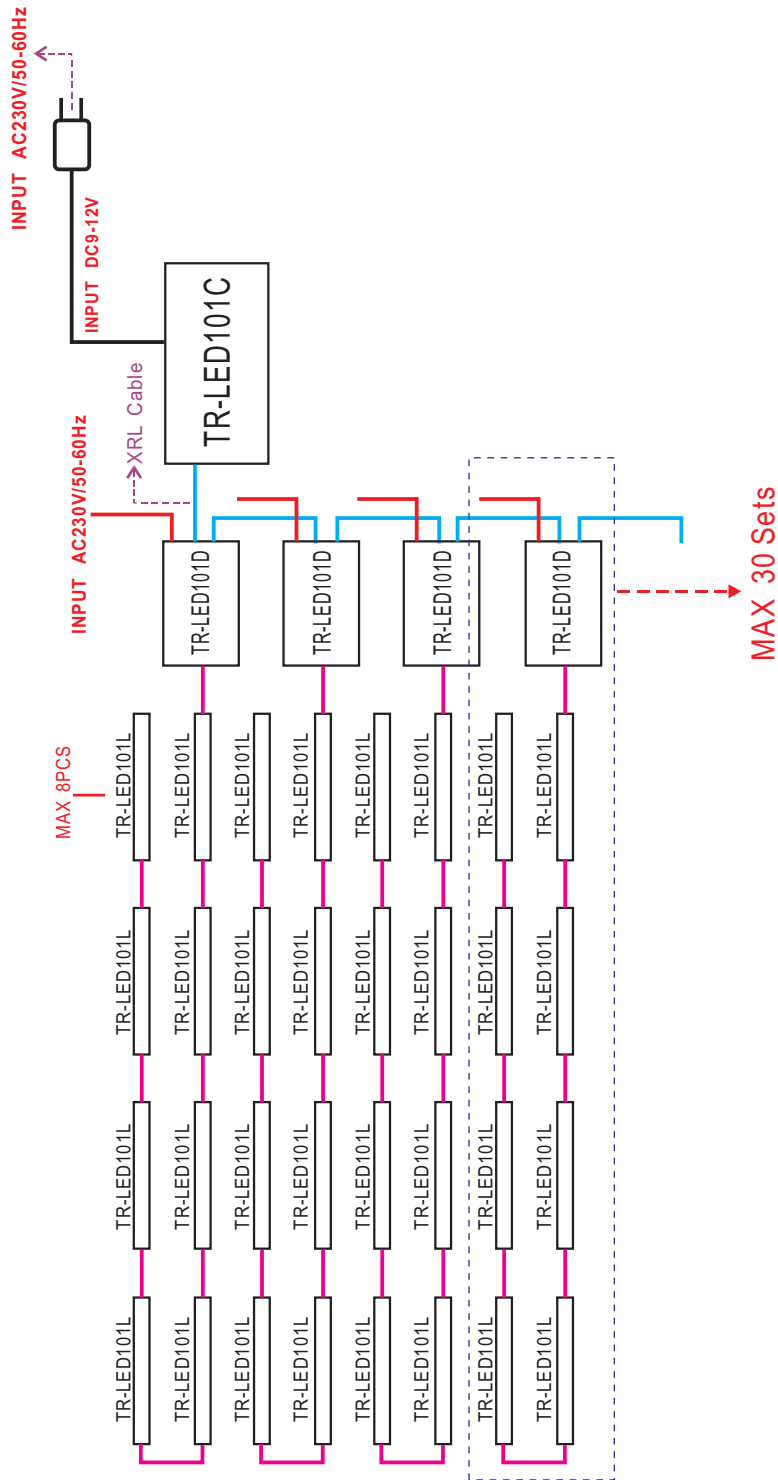
## Especificaciones técnicas:

- Fuente: 5mmLED (40pcs)rojo:16pcs,verde:12pcs,azul:12pcs
- Watos: 4W
- Medida: L430 x W25 x H10mm

Triton Blue



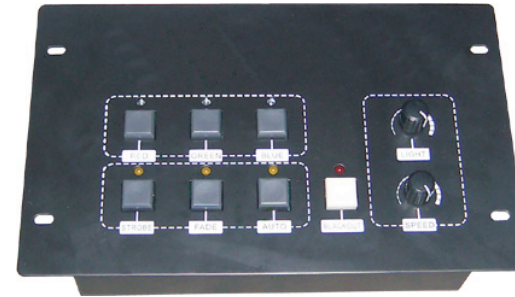
# TR-LED101C SYSTEM



# Triton Blue

**USER MANUAL**  
**MANUAL DE USUARIO**

**TR-LED101C**  
LED MODULE CONTROLLER



**TR-LED101D**  
LED MODULE DRIVE



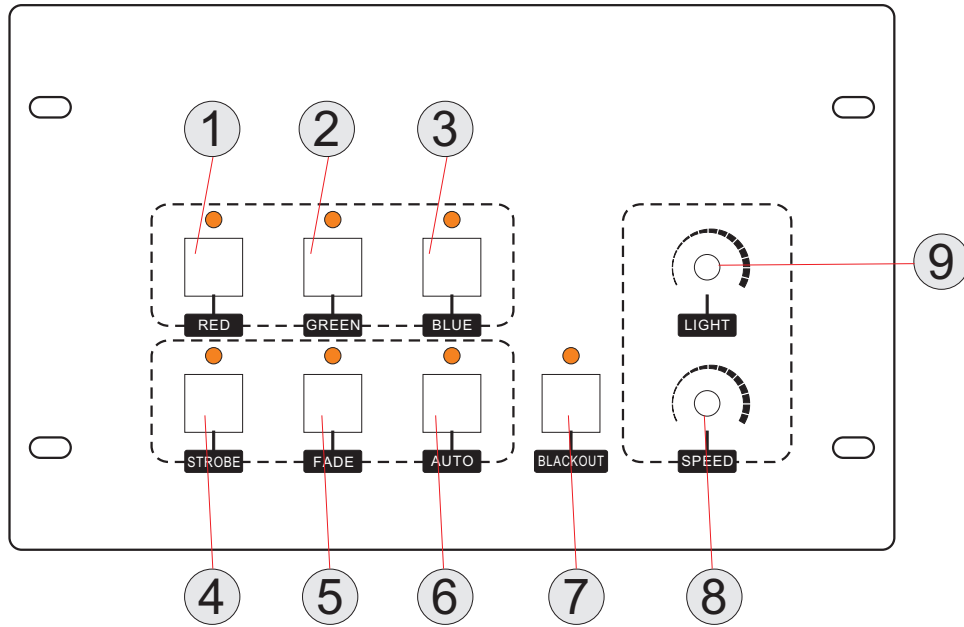
**TR-LED101L**  
LED MODULE PCB



Read kindly this user manual before using the machine  
Lea atentamente este manual antes de utilizar el aparato

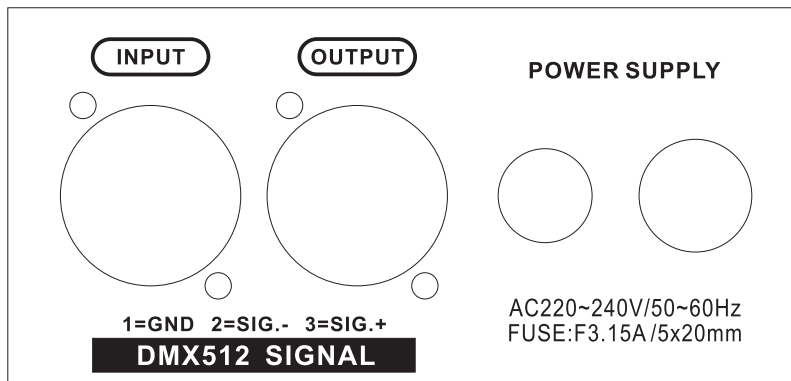
# TR-LED101C

MODULO DE CONTROL



- ① Rojo ON/OFF
- ② Verden ON/OFF
- ③ Azul ON/OFF
- ④ Strobe
- ⑤ Fade in y Fade out
- ⑥ AUTO color
- ⑦ BLACKOUT
- ⑧ Tiempo
- ⑨ Dimmer

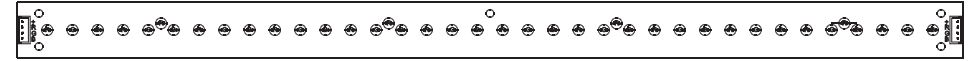
# TR-LED101D LED MODULE DRIVE



Spanish

# TR-LED101L

LED MODULE PCB



## Technical requirement:

- Source: 5mmLED (40pcs)red:16pcs,green:12pcs,blue:12pcs
- Wattage: 4W
- Size: L430 x W25 x H10mm

# Triton Blue

