



PAR64 CP60 1000W GX16d 230V 1CT

Product family description

PAR56 and PAR 64 – picking out the smallest of details. These self-contained spotlights are ideal for intensifying the visual experience in all kinds of clubs, that is because their accurate beam control picks out even the smallest of details even over long distances. This beam control makes the PAR 56 and PAR 64 excellent for long-range light projections. In addition, the universal burning feature provides complete flexibility of luminaire angle and position, while the front glass of the PAR56 provides thermal and physical protection. The result? Complete creative freedom to achieve the desired effect. Immediate re-strike also ensures instant resumption of entertainment after any power interruption.

Product Features

- Self-contained spotlight
- Front glass
- Universal burning
- Hot restrike

Product Benefits

- Allows details to be picked out over long distances with good beam control
- Excellent for long-range light projections
- Provides thermal and physical protection
- Allows fullest flexibility of luminaire angle and position to obtain the desired effect
- Immediate re-strike after any power interruption

Application

- Ideal for a wide range of performance and event lighting applications, for example in clubs, studios and theatre

PHILIPS

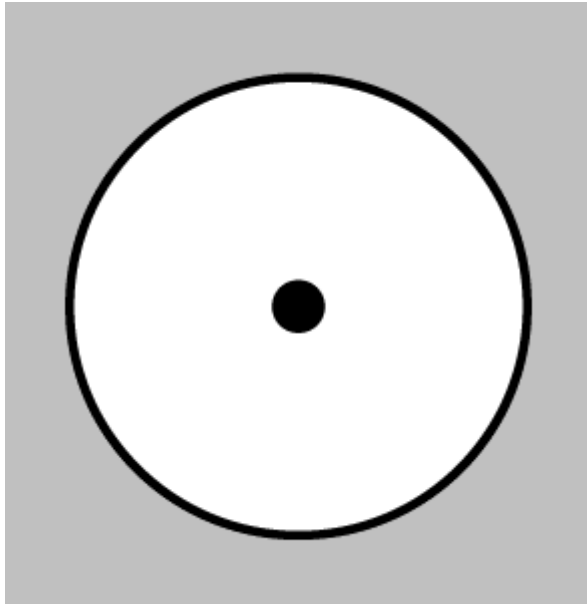
Product data	
Order code	PAR64CP60230V
Full product name	PAR64 CP60 1000W GX16d 230V 1CT
Packing type	1 Carton
Pieces per pack	1
Net weight per piece	760.000 GR
Successor order code	
ANSI Code	EXC
LIF Code	CP60
Cap-Base	GX16d
Bulb	PAR64 [PAR 64inch/180mm]
Operating Position	any
Main Application	Flood and Ambient Lighting
Packing Type	1CT [1 Carton]
Packing Configuration	6
Average Lifetime	300 hr
Life to 50% failures	
Lamp Wattage	1000W
Voltage	230V
Beam Description	Very Narrow Spot
Beam Angle	11D
Luminous Intensity	400000 cd
Color Temperature	3200 K



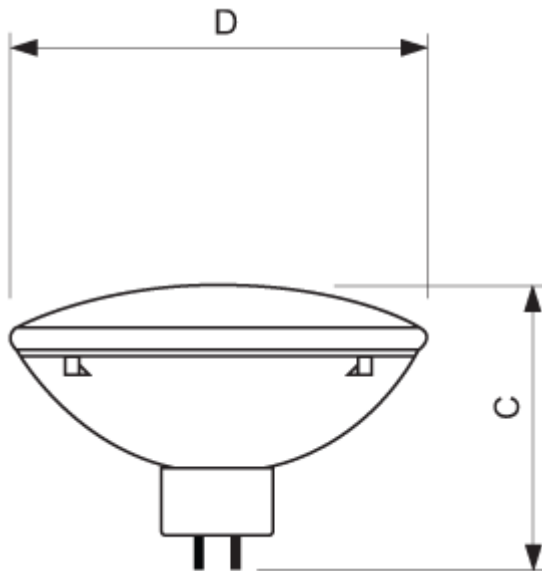
PAR 64
PAR64



PAR 56



Operating Position any



PAR 64

PAR64

	C	C	D	D
Full product name	Max	Max	Max	Max
PAR64			204	204



©2009 Koninklijke Philips Electronics N.V.

All rights reserved. Reproduction in whole or in part is prohibited without the prior written consent of the copyright owner. The information presented in this document does not form part of any quotation or contract, is believed to be accurate and reliable and may be changed without notice. No liability will be accepted by the publisher for any consequence of its use. Publication thereof does not convey nor imply any license under patent- or other industrial or intellectual property rights.

Document order number : 0000 000 00000