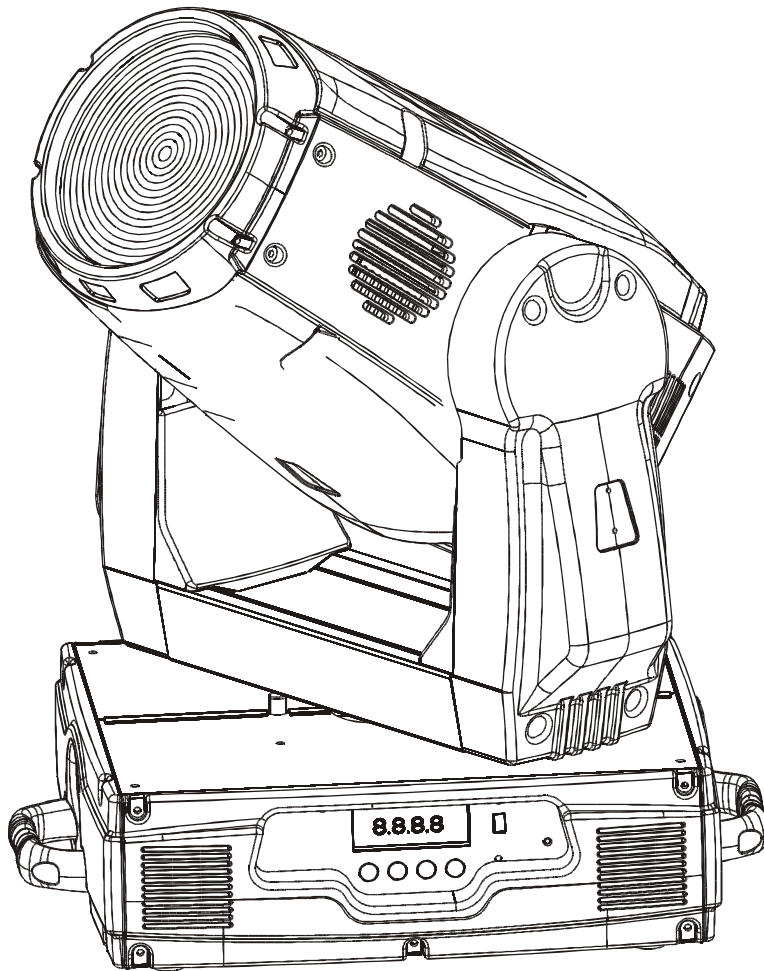




**PROFESSIONAL MOVING HEAD USER'S MANUAL**

**V575W**



**KEEP THIS MANUAL FOR FUTURE NEEDS**



For your own safety, please read this user manual carefully before installing the device.



**CAUTION!**  
**Keep this device away from rain and moisture !**



**CAUTION!**  
**Unplug mains lead before opening the housing.**

Every person involved with the installation, operation and maintenance of this device has to:  
-be qualified  
-follow carefully the instructions of this manual

## **INTRODUCTION:**

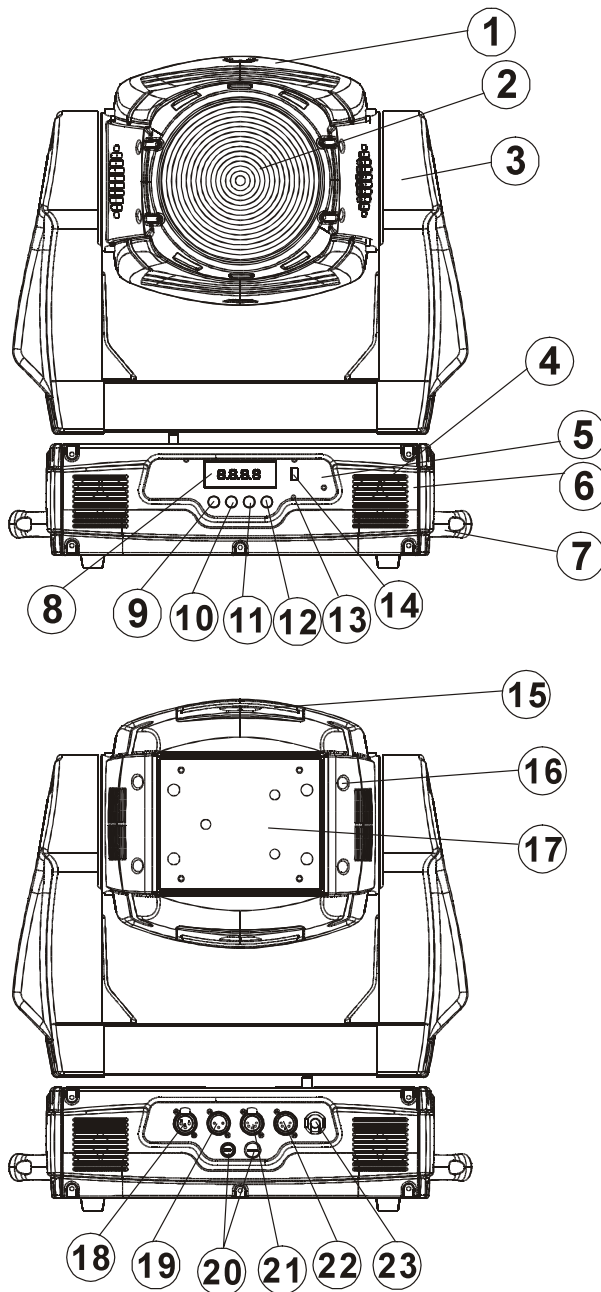
Thank you for having chosen this professional moving head.  
You will see you have acquired a powerful and versatile device.

Unpack the device. Inside the box you should find: the fixture device, a power cable, an XLR connection cable, a safety cable and this manual. Please check carefully that there is no damage caused by transportation. Should there be any, consult your dealer and don't install this device.

## **Features:**

- Lamp: Philips MSR 575 GOLD SA/2 DE
- Control channel: 16 channels
- Pan movement: 540°/ 630° optional (16bit)
- Tilt movement: 265° (16 bit)
- CMY color mixing
- Color wheel : 8 interchangeable dichroic filters plus open
- Effect wheel: beam shaper
- Shutter: variable from 1-13 flashes per second or random strobe
- Dimmer: 0~100% full range dimming
- Zoom: 13°~ 50° linear zoom
- Friendly blue LCD display
- Electronic ballast version: with enhanced light output, flick-free operation, extended life, higher power factor and less power consumption, less weight.
- RDMX: remote DMX addressing, lamp on/off, Sound control switch by controller.

## OVERVIEW



- (1) Head
- (2) Lens
- (3) Yoke
- (4) Ventilation fan
- (5) Control Board
- (6) Base
- (7) Carrying handle
- (8) LCD-Display
- (9) Mode/Esc-button
- (10) Up-button
- (11) Down-button
- (12) Enter-button
- (13) Microphone
- (14) Update-socket
- (15) Ventilation grille
- (16) Housing screw
- (17) Lamp system
- (18) 3-PIN DMX output socket
- (19) 3-PIN DMX input socket
- (20) Fuse
- (21) 5-PIN DMX output socket
- (22) 5-PIN DMX input socket
- (23) Power supply

## SAFETY INSTRUCTIONS



**CAUTION!**  
**Be careful with your operations. With a dangerous voltage you can suffer a dangerous electric shock when touching wires!**

This device has left the factory in perfect condition. In order to maintain this condition and to ensure a safe operation, it is absolutely necessary for the user to follow the safety instructions and warning notes written in this user manual.



**Important:**

*Damages caused by the disregard of this user manual are not subject to warranty. The dealer will not accept liability for any resulting defects or problems.*



If the device has been exposed to temperature changes due to environmental changes, do not switch it on immediately. The arising condensation could damage the device. Leave the device switched off until it has reached room temperature.

This device falls under protection-class I. Therefore it is essential that the device be earthed. The electric connection must carry out by qualified person.

The device shall only be used with rate voltage and frequency.  
Make sure that the available voltage is not higher than stated at the end of this manual.

Make sure the power cord is never crimped or damaged by sharp edges. If this would be the case, replacement of the cable must be done by an authorized dealer.

Always disconnect from the mains, when the device is not in use or before cleaning it. Only handle the power cord by the plug. Never pull out the plug by tugging the power cord.  
During initial start-up some smoke or smell may arise. This is a normal process and does not necessarily mean that the device is defective, it should decrease gradually.

	<b>CAUTION!</b> <b>Never touch the device during operation!</b> <b>The housing may heat up</b>
	<b>CAUTION!</b> <b>Never look directly into the light source,</b> <b>as sensitive persons may suffer an epileptic shock.</b>

Please be aware that damages caused by manual modifications to the device are not subject to warranty. Keep away from children and non-professionals.

**GENERAL GUIDELINES**

This device is a lighting effect for professional use on stages, in discotheques, theatres, etc.  
This fixture is only allowed to be operated with the max alternating current which stated in the technical specifications in the last page of this manual, the device was designed for indoor use only.  
Lighting effects are not designed for permanent operation. Consistent operation breaks may ensure that the device will serve you for a long time without defects. Do not shake the device.  
Avoid brute force when installing or operating the device.  
The device shall only be used complete with its protective shield.

While choosing the installation-spot, please make sure that the device is not exposed to extreme heat, moisture or dust. The minimum distance between light-output from the projector and the illuminated surface must be more than 0.5 meter.

Always fix the fixture with an appropriate safety cable if you use the quick lock cam in hanging up the fixture, please make sure the 4 quick lock fasteners turned in the quick lock holes correctly.



Operate the device only after having familiarized with its functions. Do not permit operation by persons not qualified for operating the device. Most damages are the result of unprofessional operation.

Please use the original packaging if the device is to be transported.  
For safety reasons, please be aware that all modifications on the device are forbidden.

If this device will be operated in any way different to the one described in this manual, the product may suffer damages and the guarantee becomes void. Furthermore, any other operation may lead to short-circuit, burns, electric shock, lamp explosion, crash, etc.

## INSTALLATION INSTRUCTIONS

### a) *Installing or replacing the lamp*

	<b>CAUTION!</b> Only install the lamp with the device unplugged from the mains.
	<b>CAUTION!</b> The lamp has to be replaced when it is damaged or deformed.

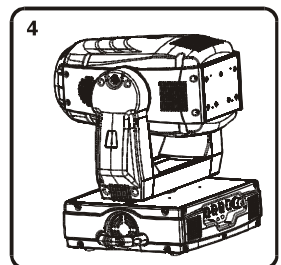
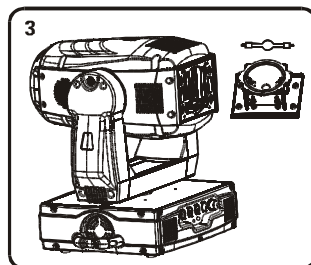
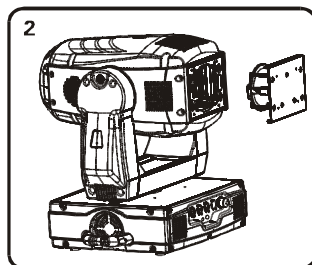
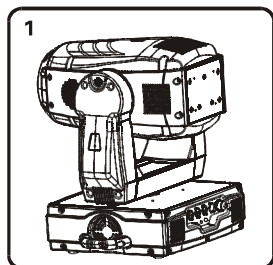
Before replacing the lamp let the lamp cool down, because during operation, the lamp can reach very high temperature.

During the installation of halogen lamps do not touch the glass bulbs bare handed. Always use a cloth to handle the lamps during insertion and removal.

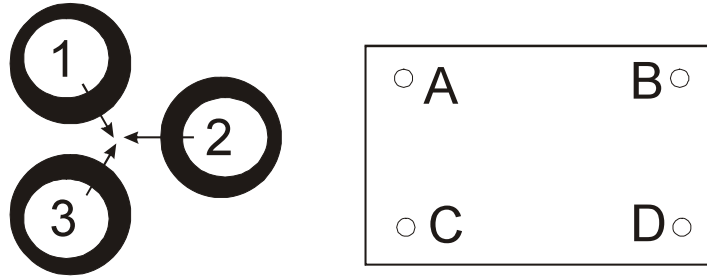
Do not install lamps with a higher wattage. They generate higher temperatures than which the device was designed for.

For the installation, you need one Philips MSR GOLD 575 SA/2 DE

### Procedure:




- 1) Unscrew the 4 screws A, B, C and D on the bottom of the housing, holding the plate where the lamp is underneath.
- 2) Gently pull the socket holder using the knob in the middle.
- 3) Carefully insert the lamp into the socket. Please remember there is only one way to insert the lamp. Gently slide the lamp and its lamp holder back into place and fasten the 4 screws.
- 4) On the access plate there are 3 small screws marked 1, 2 and 3, which are used to adjust the lamp holder in the lamp housing. You can adjust the 3 screws to fine-tune the position of the lamp to get the maximum light output as shown below.



Please remember the lamp is not a hot-restrike type, you must wait for approximately 15 minutes after having turned off the lamp before you can turn it back on again.

	<p><b>CAUTION!</b> Do not operate this device with open cover</p>
--	---

***b) Mounting the device***

	<p><b>CAUTION!</b> Please consider the EN 60598-2-17 and the other respective national norms during installation. The installation must only be carried out by a qualified person.</p>
---	--

The installation of the effect has to be built and constructed in a way that it can hold 10 times the weight for 1 hour without any harming deformation.

The installation must always be secured with a secondary safety attachment, e.g. an appropriate safety cable.

Never stand directly below the device when mounting, removing or servicing the fixture.

The operator has to make sure the safety relating and machine technical installations are approved by an expert before taking the device into operation for the first time.

These installations have to be approved by a skilled person once a year.

	<p><b>CAUTION!</b> Before taking into operation for the first time, the installation has to be approved by an expert.</p>
---	---

**Cautions:**

The effect should be installed outside areas where persons may reach it, walk by or be seated.

	<b>CAUTION!</b> When installing the device, make sure there is no highly inflammable material within a distance of min. 0,5m
---	---

Overhead mounting requires extensive experience, including amongst others calculating working load limits, installation material being used, and periodic safety inspection of all installation material and the device. If you lack these qualifications, do not attempt the installation yourself. Improper installation can result in bodily injury.

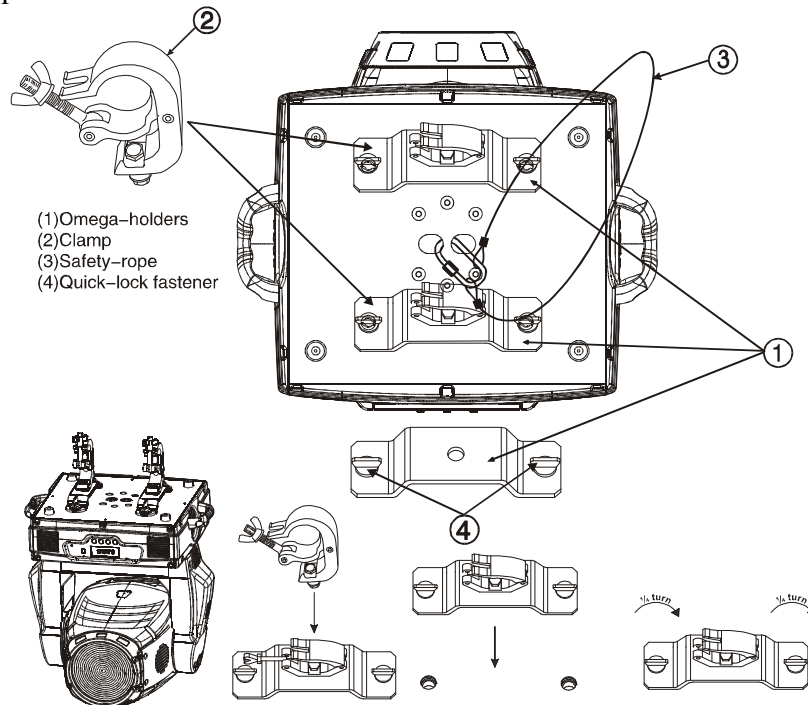
	<b>CAUTION!</b> The electric connection must only be carried out by a qualified electrician.
---	---

Before mounting make sure that the installation area can hold a minimum point load of 10 times the device's weight.

Connect the fixture to the mains with the power plug.

### Installation method via clamp

Please refer to the picture below:



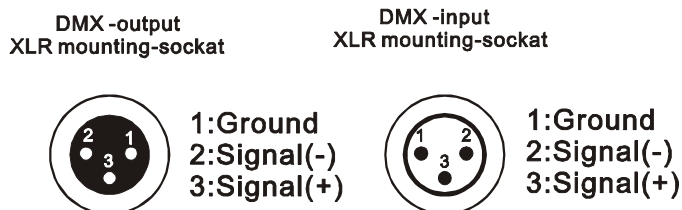
Screw one clamp each via a M12 screw and nut onto the Omega holders.

Insert the quick-lock fasteners of the first Omega holder into the respective holes on the bottom of the device. Tighten the quick-lock fasteners fully clockwise. Install the second Omega holder.

Pull the safety-rope through the holes on the bottom of the base and over the trussing system or a safe fixation spot. Insert the end in the carabine and tighten the safety screw.

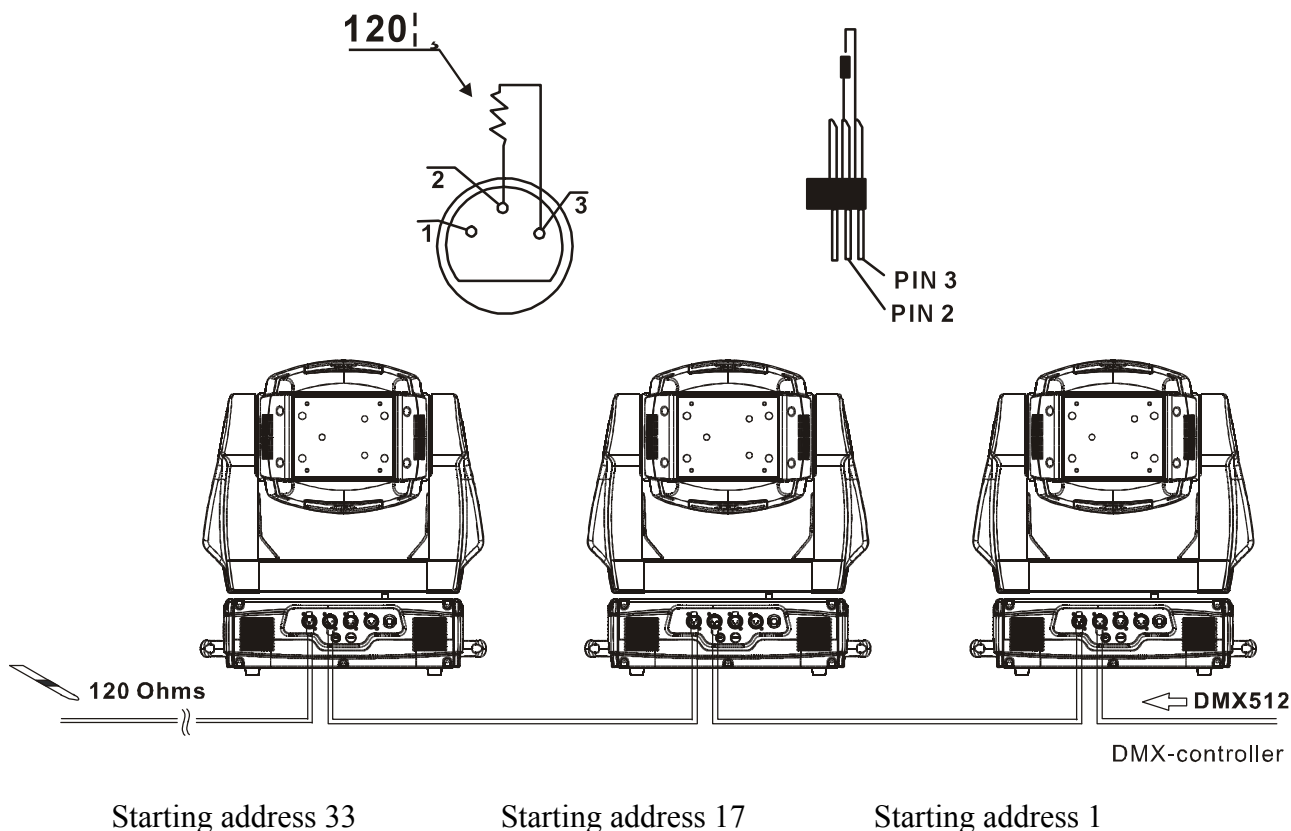
## DMX-512 control connection

Connect the provided XLR cable to the female 3-pin XLR output of your controller and the other side to the male 3-pin XLR input of the moving head. You can chain multiple Moving head together through serial linking. The cable needed should be two core, screened cable with XLR input and output connectors. Please refer to the diagram below.



### DMX-512 connection with DMX terminator

For installations where the DMX cable has to run a long distance or is in an electrically noisy environment, such as in a discotheque, it is recommended to use a DMX terminator. This helps in preventing corruption of the digital control signal by electrical noise. The DMX terminator is simply an XLR plug with a 120 Ω resistor connected between pins 2 and 3, which is then plugged into the output XLR socket of the last fixture in the chain. Please see illustrations below.



### Projector DMX starting address selection

All fixtures should be given a DMX starting address when using a DMX signal, so that the correct fixture responds to the correct control signals. This digital starting address is the channel number from which the fixture starts to “listen” to the digital control information sent out from the DMX controller. The allocation of this starting address is achieved by setting the correct number on the



display located on the base of the device.

You can set the same starting address for all fixtures or a group of fixtures, or make different address for each fixture individually.

If you set the same address, all the units will start to “listen” to the same control signal from the same channel number. In other words, changing the settings of one channel will affect all the fixtures simultaneously.

If you set a different address, each unit will start to “listen” to the channel number you have set, based on the quantity of control channels of the unit. That means changing the settings of one channel will affect only the selected fixture.

In the case of the moving head, which is 16 channels fixture, you should set the starting address of the first unit to 1, the second unit to 17(16 + 1), the third unit to 33 (16+ 17), and so on.

### Control Board

The Control Board offers several features: you can simply set the starting address, switch on and off the lamp, run the pre-programmed program or make a reset.

The main menu is accessed by pressing the **Mode/esc**-button until the display starts flashing. Browse through the menu by pressing the **Up**-button or **Down**-button. Press the **Enter**-button in order to select the desired menu. You can change the selection by pressing the **Up**-button or **Down**-button. Confirm every selection by pressing the **Enter**-button. You can leave every mode by pressing the **Mode/esc**-button. The functions provided are described in the following sections.

Default settings shaded

Function Mode	Set DMX Address	A001~AXXX	DMX address setting
	Value Display	PAN Moving.....	DMX value display
Information	Set To Slave	Slave1,Slave2,Slave3	Slave setting
	Auto Program	Master / Alone	Auto program
	Music Control	Master / Alone	Music control
Information	Time Information	Current Time Total Run Time Total Lamp Time Lamp Off Time Clear Lamp Time	XXXX(Hours) XXXX(Hours) XXXX(Hours) XXXX(Minute) ON/OFF
	Temperature Info	Base Temperature Head Temperature	XX °C/°F XXX °C/°F
	Software Version	Ver1.0	Software version of each IC
Lamp Control	Lamp On or Off	ON/OFF	Lamp on/off
	Automatic La-On	ON/OFF	Lamp on/off when Power on
Lamp Control	Lamp On Via DMX	ON/OFF	Lamp on via DMX
	Lamp Off Via DMX	ON/OFF	Lamp off via DMX
	Lamp Off No DMX	OFF, OFF~19M	Lamp off if no DMX
	Lamp On at Temp.	20~79 °C, 45 °C /68~174 °F 113 °F	Lamp restart at temp.
	Lamp Off at Temp.	80~139 °C, 130 °C /176~282 °F, 266 °F	Lamp off at temp.

Personality	Status Settings	Address via DMX No DMX Status Pan Reverse Tilt Reverse Fine Resolution Pan Degree Feedback Movement Speed Mic Sensitivity	ON/OFF Close/Hold/Auto/Music ON/OFF ON/OFF ON/OFF 630/540 ON/OFF Speed 1~ 4 0~99%	Add. via DMX Auto run if no DMX  Pan Reverse movement Tilt Reverse movement Fine resolution switch Pan Degree Select Movement Feedback switch Movement Mode Select Sensitivity of Mic.	
	Service Setting	Service Password Fan Voltage	Password=XXX High/Low	Service Code “=050” Fan Voltage Select	
	Fans Control	Auto Fans Speed High Fans Speed Low Fans Speed		Fans Speed Mode Select	
	Display Setting	Shutoff Time		Display shutoff time	
	Temperature C/F	Celsius Fahrenheit		Temperature switch between °C/°F	
	Initial Effect	PAN.....	PAN =XXX	Initial effect position	
	Reset Default	ON/OFF		Restore factory sett.	
Reset Function	Reset All Reset Pan&Tilt Reset Colors Reset Shutter Reset Others		Reset all motors Reset Pan/Tilt Reset color wheel Reset shutter and/or dimmer Reset other motors		
Effect Adjust	Test Channel	PAN .....		Test function	
	Manual Control	PAN :	PAN =XXX :	Fine adjustment of the lamp	
	Calibrate Values	--Password-- Color wheel :	Password=XXX Color wheel=XXX :	Calbrate and adjust the effects to standard/right position Password “050”	
Users Mode Set	User Mode	XXXXXX(Band) User Mode A User Mode B User Mode C		User’s mode to change channel numbers	
	Edit User Mode	PAN :	PAN = CH01 :	Preset User modes	
Edit Program	Select Programs	Auto Pro Part 1 Auto Pro Part 2 Auto Pro Part 3	Program 1 ~ 10 Program 1 ~ 10 Program 1 ~ 10	Program 1 Program 2 Program 3	Select programs to be run
	Edit Program	Program 1 : Program 10	Program Test Step 01=SCxxx Step 64=SCxxx	(“STEP XX”)	Testing program Program in loop Save and exit
	Edit Scenes	Edit Scene 001 ~ Edit Scene 250	Pan,Tilt,..... --Secne Time--	Pan=xxx..... TIME=xx.xs	Save and automatically return

		Input By Outside		manual scenes edit
	Rec. Controller	XX~XX		Automat. scenes rec

## ***Function Mode***

### **DMX address setting**

With this function, you can adjust the desired DMX-address via the Control Board.

- Select “**Set DMX address**” via the encoder.
- Press the encoder, adjust the DMX address by turning the encoder.
- Press the encoder to confirm.
- Press the Mode/Esc-button in order return to the main menu.

### **Display the DMX 512 value of each channel**

With this function you can display the DMX 512 value of each channel. The display automatically shows the channel with a value changing.

### **Slave setting**

With this function, you can define the device as slave.

### **Auto Program**

With this function, you can run the internal program. You can select the desired program under “**Select program**”.

You can set the number of steps under “**Edit program**”. You can edit the individual scenes under “**Edit scenes**”.

With this function, you can run the individual scenes either automatically, i.e. with the adjusted Step-Time.

### **Music control**

With this function, you can run the internal program sound-controlled.

## ***Information***

### **Time information**

#### **Power on time**

With this function, you can display the temporary running time of the device from the last power on. The display shows “XXXX”, “XXXX” stands for the number of hours. The counter is resetted after turning the device off.

#### **Total run time**

With this function, you can display the running time of the device. The display shows “XXXX”, “XXXX” stands for the number of hours.

#### **Total lamp time**

With this function, you can display the running time of the lamp. The display shows “XXXX”, “XXXX” stands for the number of hours.

#### **Lamp off time**

With this function, you can display the temporary running time of the lamp from the last lamp on. The display Shows “XXXX”, “XXXX” stands for the number of hours. The counter is resetted after turning the lamp off.

#### **Clear lamp time**

With this function you can clear the running time of the lamp. Please clear the lamp time every time you replace the lamp.

- Select “**Clear lamp time**” by turning the encoder.
- Press the encoder, the display shows “ON” or “OFF”.
- Press the encoder to confirm.
- Press the Mode/Esc-button in order to return to the main menu.

### **Temp. Info.**

### **Base Temp**

With this function you can display the temperature in the projector base (near LCD-display) in Celsius.

### **Head Temp**

With this function you can display the temperature on the display board of the base (near CMY-filter) in Celsius.

## **Software version**

With this function, you can display the software version of the device.

- Select “**Software version**” by turning the encoder.
- Press the encoder, the display shows “**V-X.X**”, “X.X” stands for the version number, e.g. “V-1.0”, “V-2.6”.
- Turn the encoder in order to read the version of every individual IC.
- Press the Mode/Esc-button in order to return to the main menu.

## **LAMP CONTROL**

When the real temperature around the lamp is higher than the preset value, the lamp will be shut down in 5 minutes automatically.

- When the LCD display shows “Off”, it means the lamp must be turned on again manually;
- When the LCD display shows “Hot”, it means the actual temperature around the lamp is still higher than the preset value, so even the lamp can not be struck even the menu Lamp is turned to ON, as the lamp switch is compelled to turned off.
- When the temperature unit after the temperature value come to lowercase letter “c” or “f”, it means menu Lamp is turned to ON, but the lamp is not full dimming up.
- When the temperature unit after the temperature value come to capital letter “C” or “F”, it menu Lamp is turned to ON, and the lamp is full intensity.

### **Lamp on/off**

With this function you can switch the lamp on or off via the Control Board.

- Select “**Lamp on/off**” by turning the encoder.
- Press the encoder, the display shows “**ON**” or “**OFF**”.
- Turn the encoder to select “**ON**” if you wish to strike the lamp or “**OFF**” in order to switch it off.
- Press the encoder to confirm.
- Press the Mode/Esc-button in order to return to the main menu.

**Remark:** The menu Lamp On/Off is the software command only, the lamp can be struck successfully only when the menu Lamp is set to ON and the actual temperature is lower than the limited value.

### **Lamp on/off when power on**

With this function you can select if the lamp will be switched on when switching the power on. Select “**ON**” by turning the encoder if you wish to enable this function or “**OFF**” if you don’t.

### **Lamp on via external controller**

With this function you can select if you can switch the lamp on via an external controller (DMX-channel of internal programs, value 64-79). Select “**ON**” by turning the encoder if you wish to enable this function or “**OFF**” if you don’t.

### **Lamp off via external controller**

With this function you can select if you can switch the lamp off via an external controller (DMX-channel of internal programs, value 224-239). Select “**ON**” by turning the encoder if you wish to enable this function or “**OFF**” if you don’t.

### **Lamp Off if no DMX**

With this function you can select to switch off the lamp off automatically if there is no DMX signal). Select “**OFF**” by turning the encoder if you wish to switch off the lamp automatically at once, Select “**19M**” by turning the encoder if you wish to postpone to 19 minutes switch off the lamp automatically.

### **Lamp on at temp.**

With this function you can set the inside temperature from which the projector will restrike the lamp after automatic

lamp shut off.

### **Lamp off at temp.**

With this function you can set the inside temperature at which the projector will automatically switch the lamp off.

Turn the encoder to select the maximum inside temperature between 60° C and 159° C. Inside temperatures below 90° C are not critical. 90° C and more should lead to the lamp being switched off. Please note that the outside temperature should not exceed 45° C.

**When the temperature around the lamp is higher than the preset value continuously up to 5 minutes, the lamp will be shut off automatically.**

**If the lamp be shut off automatically due to over heat, it can not be striked again automatically, it must be turned on again by manually.**

## ***PERSONALITY***

### **Status setting**

#### **Address via DMX**

With this function, you can adjust the desired DMX-address via an external controller.

- Select “**Address via DMX**” by turning the encoder.
- Press the encoder, the display shows “ON” or “OFF”.
- Turn the encoder to select “ON” if you wish to enable this function or “OFF” if you don’t.
- Press the encoder to confirm.
- Press the Mode/Esc-button in order to return to the main menu.
- On the controller, set the DMX-value of channel 1 to "7".
- Set the DMX-value of channel 2 to "7" or "8". When set to "7" you can adjust the starting address between 1 and 255. When set to "8" you can adjust the starting address between 256 and 511.
- Set the DMX-value of channel 3 to the desired starting address. If you want to set the starting address to 57, set channel 1 to "7", channel 2 to "7" and channel 3 to "57". If you want to set the starting address to 420, set channel 1 to "7", channel 2 to "8" and channel 3 to "164" (256+164=420).
- Wait for approx. 20 seconds and the unit will carry out a reset. After that, the new starting address is set.

#### **No DMX Status**

With this function, when the drive is not DMX signal, it runs automatism, close, hold and music, the default is hold.

#### **Pan Reverse**

With this function you can reverse the Pan-movement.

#### **Tilt Reverse**

With this function you can reverse the Tilt-movement.

#### **Fine resolution**

With this function, you can fine resolution switch of pan movement or tilt movement.

#### **Pan Degree**

With this function, you can select pan degree for 630 or 540.

#### **Feedback**

With this function, you can feedback switch of pan movement or tilt movement.

#### **Movement Speed**

With this function, you can select scan mode from 1 to 4.

#### **Mic Sensitivity**

With this function, the default is 70%, you can select the desired microphone sensitivity from 0 % to 99 %.

### **Service setting**

#### **Service Password**

With this function, you can set the service password.

### **Fan Voltage**

With this function, you can select fan voltage for high or low, the default is low

**Attention: The model is not recommended when ambient temperature is higher than 15 Celsius degree.**

### **Fans Control**

With this function, you can set the speed of the running fans. The selections have Auto、 high and low.

### **Display settings**

#### **Shut off time**

With this function you can shut off the LCD display after 2 to 59 minutes. Turn the encoder in order to select the desired shut off time.

### **Temperature C/F**

With this function, Display the temperature for Celsius or Fahrenheit.

### **Initial effect**

With this function, Display initial effect position.

### **Reset Default**

With this function, you can select restore factory set for ON or OFF, the default is OFF.

### ***Reset-functions***

With this function you can reset the device via the Control Board. You can select the different reset functions by turning the encoder.

### ***Effect Adjust***

#### **Test function of each channel**

With this function you can test each channel on its (correct) function.

### **Lamp adjustment**

With this function, you can adjust the lamp more easily. All effects will be canceled, the shutter opens and the dimmer intensity will be set to 100 %. With the individual functions, you can focus the light on a flat surface (wall) and perform the fine lamp adjustment.

### **Calibrate values**

With this function, you can calibrate and adjust the effect wheels to their correct positions. The password of calibrate values is 050.

### ***Users mode set***

In this menu, user can select different channels list by different sequence:

For example, after the user enter this manual, if select Auto Program = CH 22, means in this User's mode, the "Dimmer" is in Channel 16.

### **User mode**

With this function, you can create user defined channel orders.

### **Preset User mode**

With this function, you can adjust the rest user defined channel order.

## ***Edit program***

### **Select program**

With this function, you can select the program for the Program Run.

### **Edit program**

With this function, you can edit the internal programs.

### **Edit scenes**

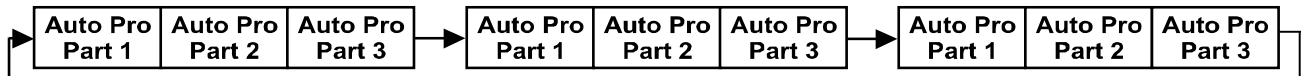
With this function, you can edit the scenes of the internal programs.

### **Auto scenes rec.**

The moving head features an integrated DMX-recorder by which you can transmit the programmed scenes from your DMX-controller to the moving head. Adjust the desired scene numbers via the encoder (from – to). When you call up the scenes at your controller, they will automatically be transmitted to the moving head.

### **Excursion:**

A Master unit can send up to 3 different data groups to the Slave units, i.e. a Master unit can start 3 different Slave units, which run 3 different programs. The Master unit sends the 3 program parts in a continuous loop.



The Slave unit receives data from the Master unit according to the group which the Slave unit was assigned to. If e.g. a Slave unit is set to “Slave 1” in the menu “Set to Slave”, the Master unit sends “Auto Program Part 1” to the Slave unit. If set to “Slave 2”, the Slave unit receives “Auto Program Part 2”.

To start a Auto Program please proceed as follows:

#### **1. Slave-Setting**

- Select “Function Mode” by turning the encoder.
- Press the Enter button to confirm.
- Select “Set to slave” by turning the encoder.
- Press the Enter button to confirm.
- Turn the encoder to select “Slave 1”, “Slave 2” or “Slave 3”.
- Press the Enter button to confirm.
- Press the Mode/Esc button in order to return to the main menu.

#### **2. Automatic Program Run**

- Select “Function Mode” by turning the encoder.
- Press the Enter button to confirm.
- Select “Auto Program” by turning the encoder.
- Press the Enter button to confirm.
- Turn the encoder to select “Master” or “Alone”. The selection "Alone" means Stand Alone-mode and "Master" that the device is defined as master.
- Press the Enter button to confirm.
- Press the Mode/Esc button in order to return to the main menu.

#### **3. Program selection for Auto Pro Part**

- Select “Edit program” by turning the encoder.
- Press the Enter button to confirm.
- Select “Select programs” by turning the encoder.
- Press the Enter button to confirm.
- Turn the encoder to select “Auto Pro Part 1”, “Auto Pro Part 2” or “Auto Pro Part 3”, and thus select which Slave

program is to be sent. Selection “Part 1” means, that the Slave unit runs the same program as the master units.

- Press the Enter button to confirm.
- Press the Mode/Esc button in order to return to the main menu.

#### 4. Program selection for Edit Program

- Select “Edit program” by turning the encoder.
- Press the Enter button to confirm.
- Select “Edit program” by turning the encoder.
- Press the Enter button to confirm.
- Turn the encoder to select the desired program. With this function you can edit specific scenes into a specific program.
- Press the Enter button to confirm.
- Press the Mode/Esc button in order to return to the main menu.

#### 5. Automatic Scene Recording

- Select “Edit program” by turning the encoder.
- Press the Enter button to confirm.
- Select “Edit scenes” by turning the encoder.
- Turn the encoder to select the desired scene numbers. You can program a maximum number of 250 • Turn the encoder to select the desired scene numbers. You can program a maximum number of 250 scenes.
- Press the Enter button to confirm.
- Press the Mode/Esc button in order to return to the main menu.

Example:

Program 2 includes scenes: 10, 11, 12, 13

Program 4 includes scenes: 8, 9, 10

Program 6 includes scenes: 12, 13, 14, 15, 16

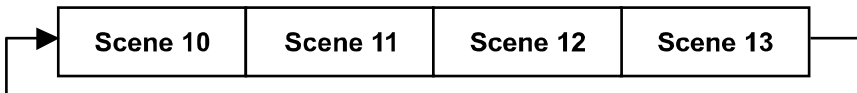
Auto Pro Part 1 is Program 2;

Auto Pro Part 2 is Program 3;

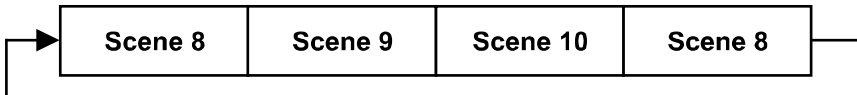
Auto Pro Part 3 is Program 6

The 3 Slave groups run the Auto Program in certain time segments, as shown in the following picture:

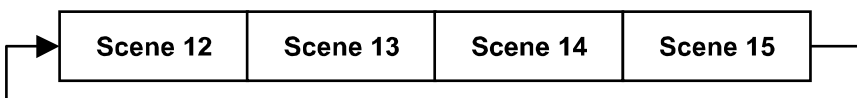
##### Part 1:



##### Part 2:



##### Part 3:





## **INSTRUCTIONS ON USE:**

### **DMX channel's functions and their values (16 DMX channels):**

#### **Channel 1 - Color Wheel :**

0-13	Open / white
14-27	Red
28-41	Blue
42-55	Green
56-69	Light yellow
70-83	Rose
84-97	UV filter
98-111	CTO filter
112-127	CTB filter
128-187	Forwards rainbow effect from fast to slow
188-195	No rotation
196-255	Backwards rainbow effect from slow to fast

#### **Channel 2 - Cyan Color Wheel :**

0-255	Cyan (0-white, 255-100% Cyan)
-------	-------------------------------

#### **Channel 3 - Magenta Color Wheel :**

0-255	Magenta (0-white, 255-100% magenta)
-------	-------------------------------------

#### **Channel 4 - Yellow Color Wheel :**

0-255	Yellow (0-white, 255-100% Yellow)
-------	-----------------------------------

#### **Channel 5 - PAN movement 8bit :**

#### **Channel 6 - TILT movement 8bit :**

#### **Channel 7 - Speed pan/tilt movement:**

0-225	max to min speed
226-235	blackout by movement
236-245	blackout by all wheel changing
246-255	no function

#### **Channel 8 - Effect Wheel:**

0-3	Open / white
4-127	Beam shaper indexing
128-189	Forwards rainbow effect from fast to slow
190-193	No rotation

194-255 Backwards rainbow effect from slow to fast

**Channel 9 – Stepless Zoom**

0-255 Zoom adjustment from small to big

**Channel 10 - Shutter, strobe:**

0-31 Shutter closed  
32-63 No function (shutter open)  
64-95 Strobe effect slow to fast  
96-127 No function (shutter open)  
128-159 Pulse-effect in sequences  
160-191 No function (shutter open)  
192-223 Random strobe effect slow to fast  
224-255 No function (shutter open)

**Channel 11- Dimmer (intensity):**

0-255 Intensity 0 to 100%

**Channel 12 - Speed Of CMY And Dimmer:**

0-255 Speed Max →Min

**Channel 13 - Color macros - CMY and color wheel:**

0-7	OFF	128-135	Macro16
8-15	Macro1	136-143	Macro17
16-23	Macro2	144-151	Macro18
24-31	Macro3	152-159	Macro19
32-39	Macro4	160-167	Macro20
40-47	Macro5	168-175	Macro21
48-55	Macro6	176-183	Macro22
56-63	Macro7	184-191	Macro23
64-71	Macro8	192-199	Macro24
72-79	Macro9	200-207	Macro25
80-87	Macro10	208-215	Macro26
88-95	Macro11	216-223	Macro27
96-103	Macro12	224-231	Macro28
104-111	Macro13	232-239	Macro29
112-119	Macro14	240-247	Macro30
120-127	Macro15	248-255	Random CMY

**Channel 14– Lamp on/off, reset, internal programs:**

0-19 Color change normal

20-39	Color change to any position
40-59	Lamp on
60-79	Lamp switch off
80-84	All motor reset
85-87	Scan motor reset
88-90	Colors motor reset
91-93	No function
94-96	Shutter & Dimmer motor reset
97-99	Other motor reset
100-119	Internal program 1 (scene1~8 of EEPROM)
120-139	Internal program 2 (scene9~16 of EEPROM)
140-159	Internal program 3 (scene17~24 of EEPROM)
160-179	Internal program 4 (scene25~32 of EEPROM)
180-199	Internal program 5 (scene33~40 of EEPROM)
200-219	Internal program 6 (scene41~48 of EEPROM)
220-239	Internal program 7 (scene49~56 of EEPROM)
240-255	Music Control (scene of Program 1)

### **Channel 15 – Pan fine 16bit**

### **Channel 16– Tilt fine 16bit**

## **ERROR MESSAGE**

When you turn on the fixture, it will make a reset first. The display may show “XXer” while there are problems with one or more channels. “XX” stands for channel 1, 2, 3, 4, 5, 6, 8, 9, 10, 11, 12, 13, 14, 17, 18 who has the testing sensor for positioning.

For example, when the display shows “Cyan color Er”, it means there is some error in channel 1. If there are some errors on channel 1, channel 2, channel 5 at the same time, you may see the error message “Color wheel Er”, “Cyan color Er”, “Pan movement Er” flash repeated for 5 times, and then the fixture will generate a reset signal, all the stepper reset. If the fixture remain error message after performing reset more than 3 times, it will detect whether the fixture has more than 3 errors. If the fixture has more than 3 errors (including 3 errors), all the channels can not work properly; but if the fixture has less than 3 errors, only the channels which have errors can not work properly, others can work as usual.

### **Color wheel Er**

(Color wheel- error) This message will appear after the reset of the fixture if the magnetic-indexing circuit malfunction (sensor failed or magnet missing) or the stepping-motor is defective (or its driving IC on the main PCB). The color wheel is not located in the default position after the reset.

### **Cyan Color wheel Er**

(Cyan color wheel- error) This message will appear after the reset of the fixture if the magnetic-indexing circuit malfunction (sensor failed or magnet missing) or the stepping-motor is defective (or its driving IC on the main PCB). The cyan color wheel is not located in the default position after the reset.

### **Magenta color wheel Er**

(Magenta color wheel- error) This message will appear after the reset of the fixture if the magnetic-indexing circuit malfunction (sensor failed or magnet missing) or the stepping-motor is defective (or its driving IC on the main PCB).

PCB). The magenta color wheel is not located in the default position after the reset.

**Yellow color wheel Er**

(Yellow color wheel- error) This message will appear after the reset of the fixture if the magnetic-indexing circuit malfunction (sensor failed or magnet missing) or the stepping-motor is defective (or its driving IC on the main PCB). The Yellow color wheel is not located in the default position after the reset.

**PAN- movement Er**

(PAN-yoke movement error) This message will appear after the reset of the fixture if the yoke’s magnetic-indexing circuit malfunction (sensor failed or magnet missing) or the stepping-motor is defective (or its driving IC on the main PCB). The PAN- movement is not located in the default position after the reset.

**TILT- movement Er**

(TILT-head movement error) This message will appear after the reset of the fixture if the head’s magnetic-indexing circuit malfunctions (sensor failed or magnet missing) or the stepping-motor is defective (or its driving IC on the main PCB). The TILT- movement is not located in the default position after the reset.

**Zoom Er**

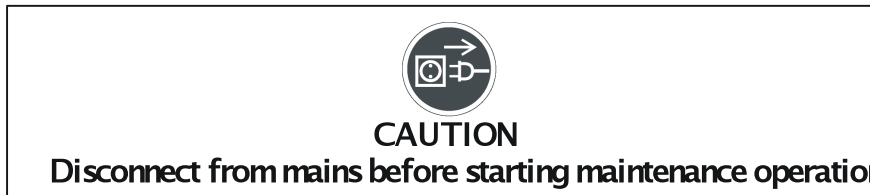
(Zoom error) This message will appear after the reset of the fixture if the magnetic-indexing circuit malfunction (sensor failed or magnet missing) or the stepping-motor is defective (or its driving IC on the main PCB). The Zoom is not located in the default position after the reset.

**CLEANING AND MAINTENANCE**

The following points have to be considered during the inspection:

- 1) All screws for installing the devices or parts of the device have to be tightly connected and must not be corroded.
  - 2) There must not be any deformations on the housing, color lenses, fixations and installation spots (ceiling, suspension, trussing).
    - 1) Mechanically moved parts must not show any traces of wearing and must not rotate with unbalances.
    - 2) The electric power supply cables must not show any damage, material fatigue or sediments.
- Further instructions depending on the installation spot and usage have to be adhered by a skilled installer and any safety problems have to be removed.

**Note:** If the external flexible cable or cord of this device is damaged, it shall be exclusively replaced by the manufacturer or his service agent or a similar qualified person in order to avoid a hazard.



We recommend a frequent cleaning of the device. Please use a moist, lint- free cloth. Never use alcohol or solvents.

There are no serviceable parts inside the device except for the lamp. Please refer to the instructions under “Installation instructions”.

Should you need any spare parts, please order genuine parts from your local dealer.

## TECHNICAL SPECIFICATIONS

**Power supply:**

100VAC,50Hz;  120VAC, 50Hz;  208VAC, 50Hz;  220VAC,50Hz;  230VAC,50Hz;  240VAC, 50Hz;  
 100VAC,60Hz;  120VAC,60Hz;  208VAC, 60Hz;  220VAC,60Hz;  230VAC,60Hz;  240VAC,60Hz;

**Power consumption:** max. **950W**

**Lamp:** Philips MSR GOLD 575 SA/2 DE

**Packing dimensions:** 71X45.5X55cm

**Net weight:** 36KGS

**Gross weight:** 41.5KGS

**Remark:** errors and omissions for every information given in this manual excepted. All information is subject to change without prior notice.