

**DOUGHTY**

DOUGHTY ENGINEERING LTD

Part No:

**T84225**

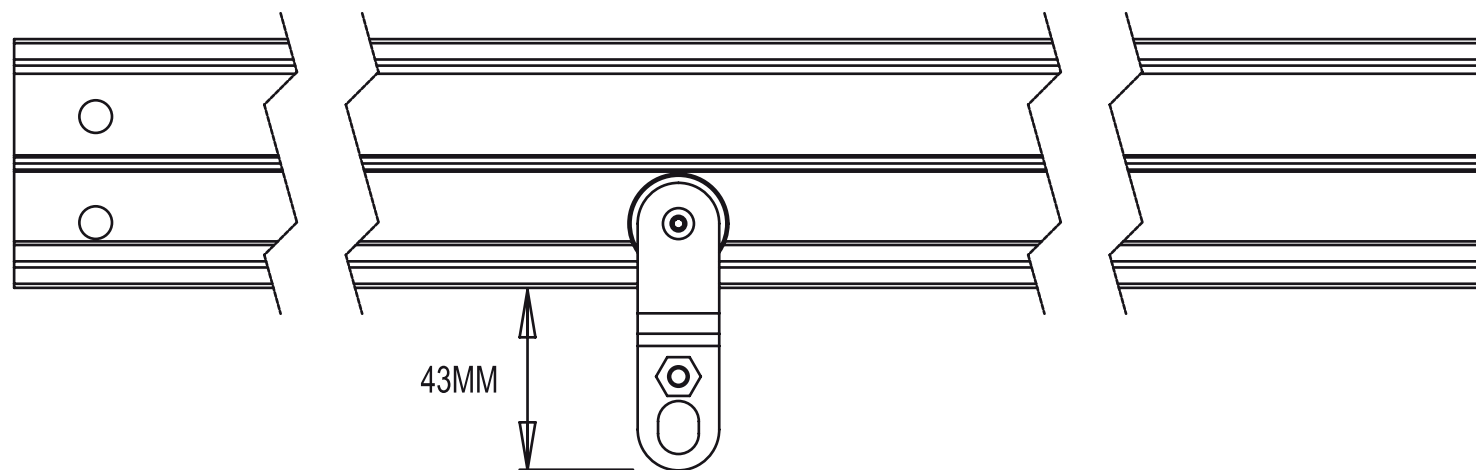
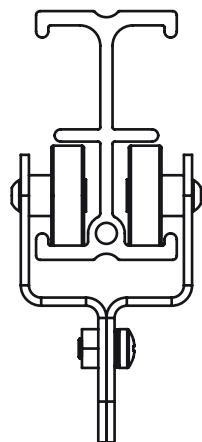
Description:

CURTAIN CARRIAGE

Weight:

0.90 Kg

**SWL: 6 KG**



SWL = 6 Kg por cada carro  
Espacio recomendado entre carros 300 cm