

DOUGHTY

DOUGHTY ENGINEERING LTD

Part No:

T84121

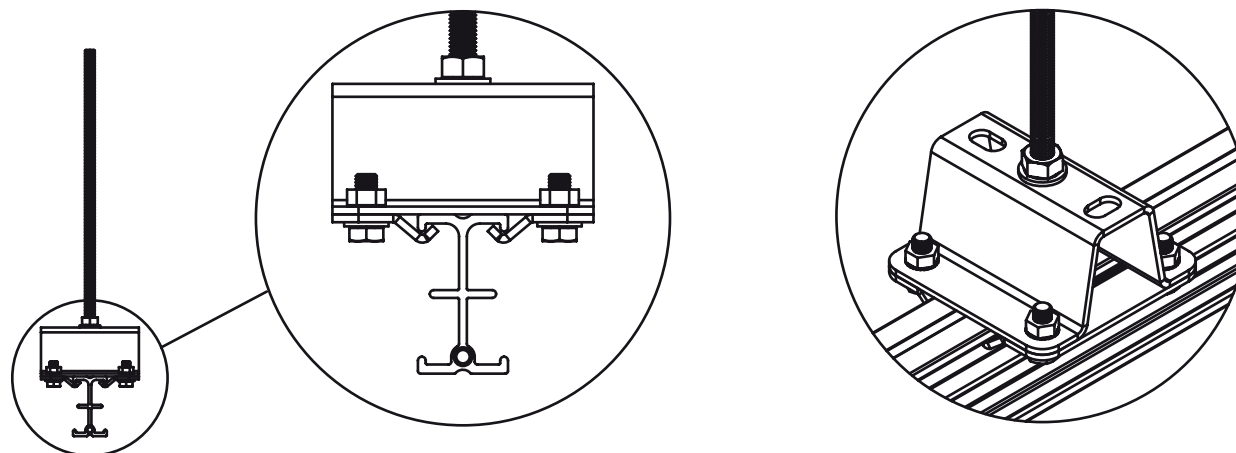
Description:

CEILING BRACKET (50MM)

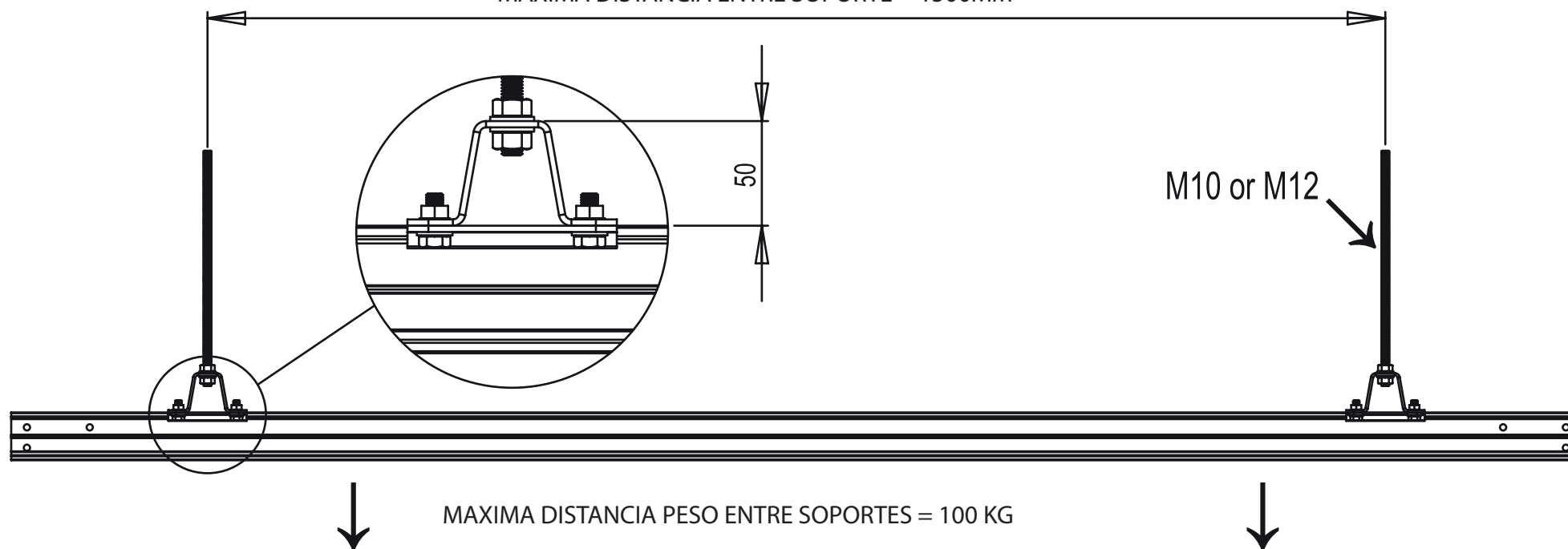
Weight:

0.60 Kg

SWL: 100 KG



MAXIMA DISTANCIA ENTRE SOPORTE = 1500MM



MAXIMA DISTANCIA PESO ENTRE SOPORTES = 100 KG