

**DOUGHTY**

DOUGHTY ENGINEERING LTD

Part No:

**T84120**

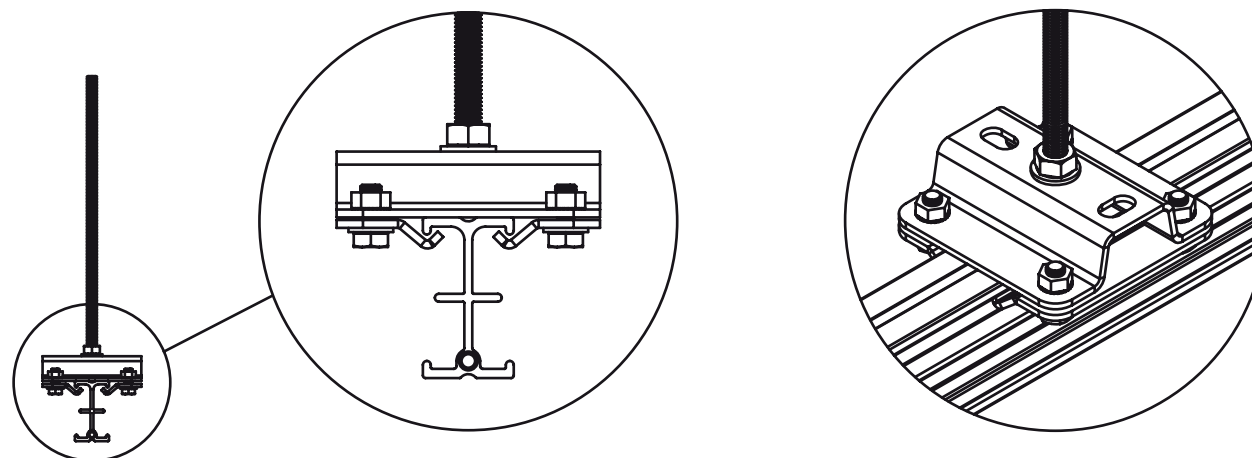
Description:

**CEILING BRACKET (25MM)**

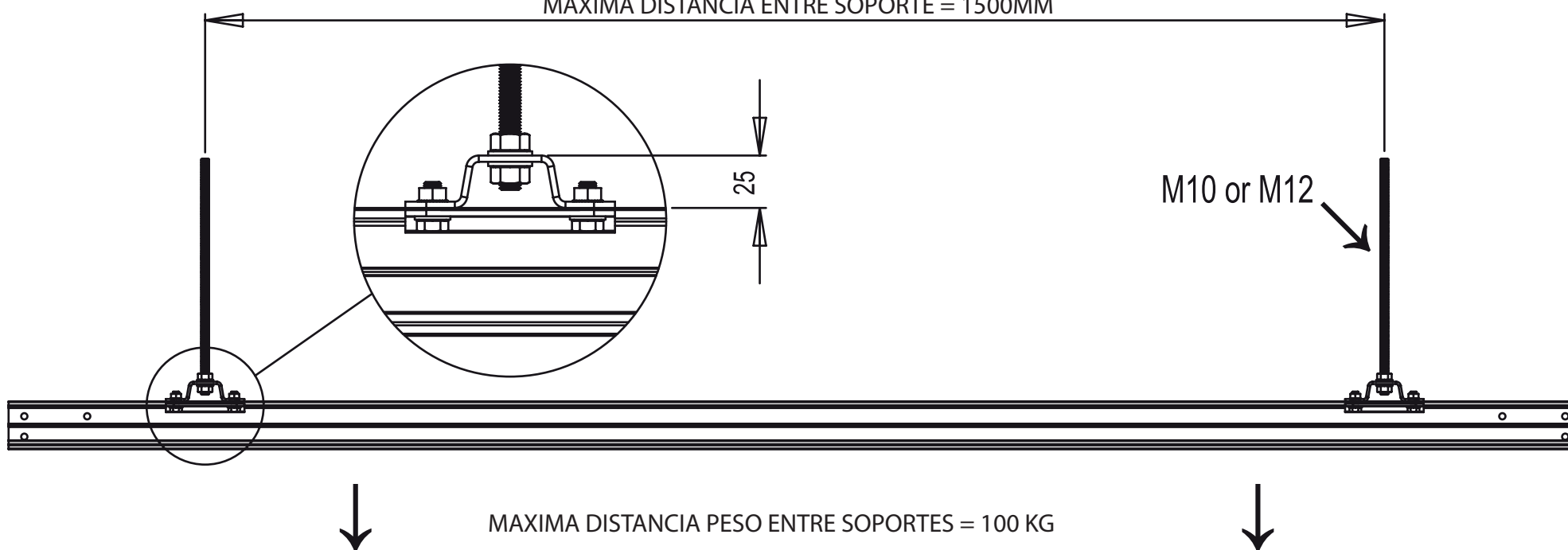
Weight:

0.51 Kg

**SWL: 100 KG**



MAXIMA DISTANCIA ENTRE SOPORTE = 1500MM



MAXIMA DISTANCIA PESO ENTRE SOPORTES = 100 KG

M10 or M12