



DOUGHTY ENGINEERING LTD

DATA SHEET

TITLE: 28mm TO 16mm ADAPTER SPIGOT - M12

PART NOS:
T74308

MATERIAL:
STEEL

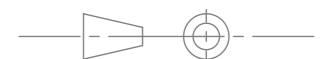
WEIGHT:

SWL:

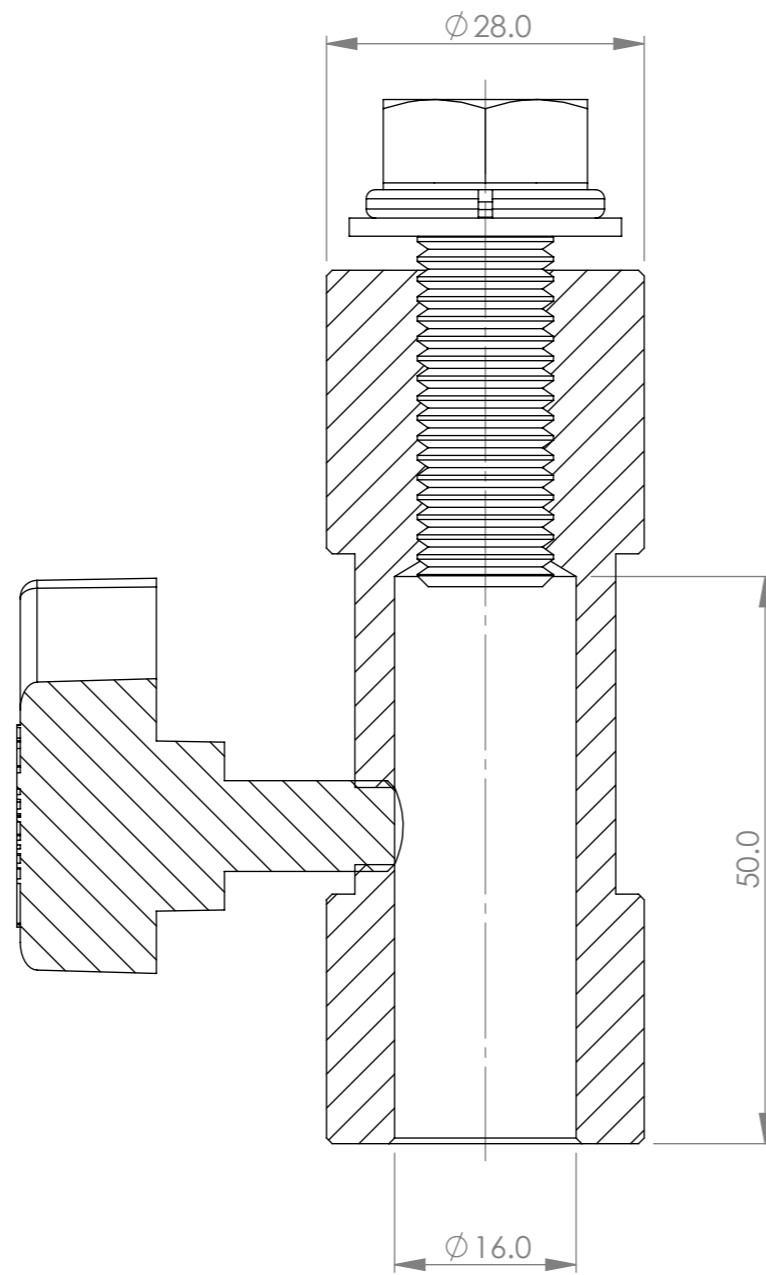
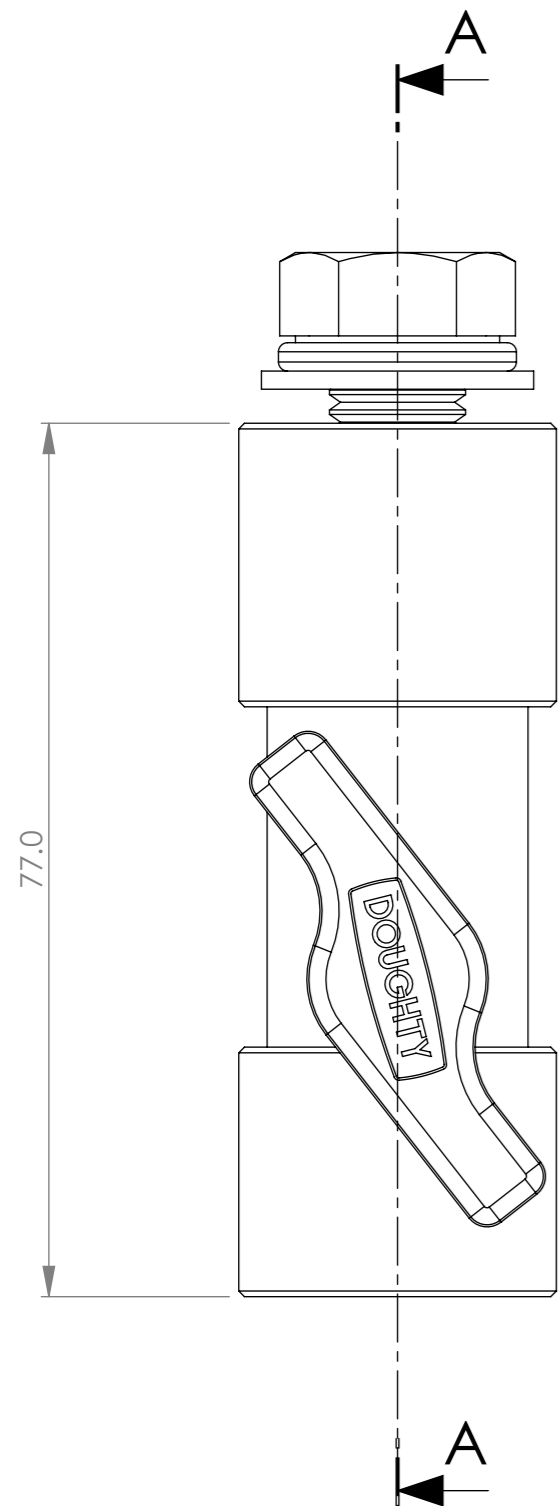
FINISH:
CHROME PLATED

NOTES:

**STRICTLY
FOR
REFERENCE
PURPOSES
ONLY**



THIRD ANGLE PROJECTION



SECTION A-A

