

Edition: 05/06 - subject to change
Supersedes: /
Status: valid

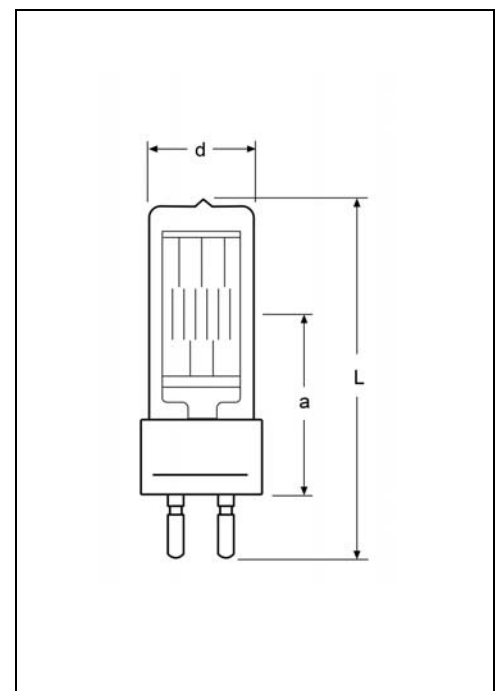
64721 (230V)

■ Product description

The OSRAM 64721 is mainly used for studio and film production and often fitted into Fresnel luminaires.

■ Technical Data

Lamp / order reference		64721
ANSI		FKH
LIF		CP/39
Rated lamp wattage	W	650
Rated lamp voltage	V	230
Average life-time	h	100
Color temperature	K	3200
Luminous flux	lm	16800
Luminous efficiency	Lm/W	25.85
Base		G22
Diameter d	mm	26 max.
Lamp length L	mm	140 max.
LCL a	mm	63.5 ± 2
Filament dimensions (w x h)	mm	13 x 17
Type of filament		biplan



■ Lamp operation

Max. pinch seal temperature	°C	400°C max.
Burning position		s90
Fuse protection		4A quick