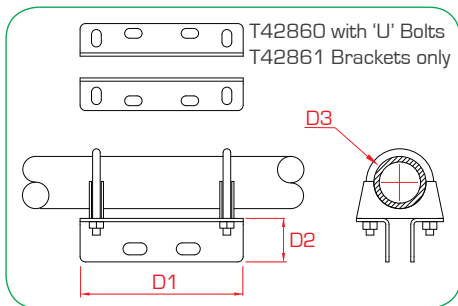


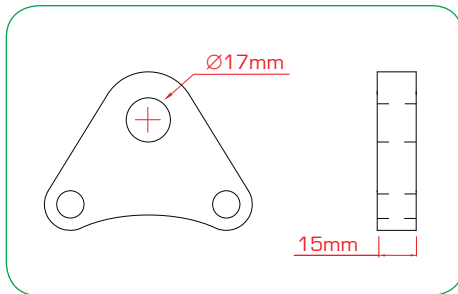
Girder Brackets

	D1	D2	D3	D4
T42870	75 - 150mm	< 20mm	270mm	25mm
T42872	150 - 300mm	< 20mm	450mm	25mm
SWL	150 Kg			



Multifix Brackets

	D1	D2	D3
T42860 (Without 'U' Bolts)	150mm	50mm	Ø 48 - 51mm
T42861 (With 'U' Bolts)	150mm	50mm	Ø 48 - 51mm
SWL	150 Kg		



Awning Profiles

Designed to be used with an M12 Shackle.

T42865	SWL 150 Kg
--------	------------