

GE Consumer & Industrial
Specialty Lighting

CSR/CSD Metal Halide

For your best lighting performance



SHOWBIZ[®]
for stage, studio, film and television lighting



SILUJ S.L.



Discharge lamps for the world of entertainment

GE's metal halide lamps can be used in a variety of applications including TV & film, stage, concerts, photographic, large screen presentation and colour simulation. GE is committed to delivering high performance, reliable products with unique and innovative technologies. The strength of the GE brand name and service complements the high quality range of lamps.

The CSR/CSD range of lamps has been developed in both single ended and double-ended configurations to meet various fixture requirements. GE has cold restrike versions for moving lights and hot restrike versions to ensure that, when time matters, there is no delay while lighting units cool.

CSR Short Double Ended

The CSR400/S/DE; CSR700/S/DE; and CSR1200/S/DE are new, robustly designed, lamps that feature chromised seals that withstand temperatures as high as 500 degrees Celsius while ensuring constant performance over the life of the lamp. With arc gaps ranging from 3mm to 7mm and uniform dimensions, these lamps enable top operating performance; better optical control, colour stability, and superior lumen maintenance.

CSR800/SE/HR

This lamp is the newest addition to GE's extensive range of single-ended, hot-restrike metal halide lamps for the film and studio market. The CSR800/SE/HR delivers a colour temperature of 6000 degrees Kelvin, a 90+ CRI, and a rated life of 750 hours.

CSR/SA Lamps

The CSR700/SA, CSR1200/SA, and CSR2000/SA lamps are specially designed to allow maximum seal temperatures of 500 degrees Celsius. These highly versatile lamps are designed to minimise quartz devitrification over the life of the lamp to ensure optimum optical performance.



CSD250/2

GE's newly redesigned CSD250/2 provides whiter, brighter light for the moving head fixture industry. This long life lamp with a colour temperature of 8500 degrees Kelvin, is suitable for use in Studio, Concert, Nightclub, and Architectural applications.

High Temperature Seals

GE's chromised seal process on many of its entertainment lighting products ensures maximum life performance. Our seals will withstand up to 500 degrees Celsius in many applications to provide fixture manufacturers flexible options for fixture designs.

Colour Control

CSR lamps chemical system enables the lamp colour temperature to remain very stable offering superb colour stability for the entire life of the lamp.

Lumen Maintenance

The consistent chemical bulb wall cleaning design of every CSR lamp creates excellent lumen maintenance performance for the life of the lamp. As a result, 90% of the initial lumen output remains present at the end of the useful lifespan.



Performance tested, performance

Single ended hot restrike



Compact, single ended metal halide hot restrike lamps for a variety of applications requiring high luminance, reliability and excellent colour characteristics.

- Excellent colour rendering, Ra>90, and high CCT 5600-6000K with superior colour stability
- Universal burn position with hot restrike capability
- Dimmable with stable colour
- High efficiency with excellent lumen maintenance

APPLICATIONS

Indoor and outdoor TV and film production, stage, concerts, sporting events, photographic studios, overhead & large screen projection, and colour simulation.

Single ended cold start



Compact, single ended metal halide cold start lamps for a variety of applications requiring high luminance, reliability and excellent colour characteristics.

- Excellent colour rendering Ra from 70 -90+ and high CCT 7200-8500K with superior colour stability
- Universal burn position
- Dimmable with stable colour
- High efficiency with excellent lumen maintenance

APPLICATIONS

Stage, concert, sporting events, and entertainment venues using intelligent and moving lights.

proven

Double ended hot restrike



Double ended compact source rare earth metal halide hot restrike lamps from GE can be used in a variety of applications requiring high luminance, reliability and excellent colour characteristics.



- Industry Standard outline with hot restrike capability
- Excellent colour rendering $Ra > 90$ and high CCT (6000K) with superior colour stability
- Dimmable with stable colour
- High efficiency with excellent lumen maintenance

APPLICATIONS

Indoor and outdoor TV and film production, stage, concerts, sporting events, photographic studios, overhead and large screen projection and colour simulation.

CSR SA



Metal halide short arc lamps. The special chromised seal protection allows an increased maximum operating temperature at the base of 500 °C for added reliability and consistent performance.

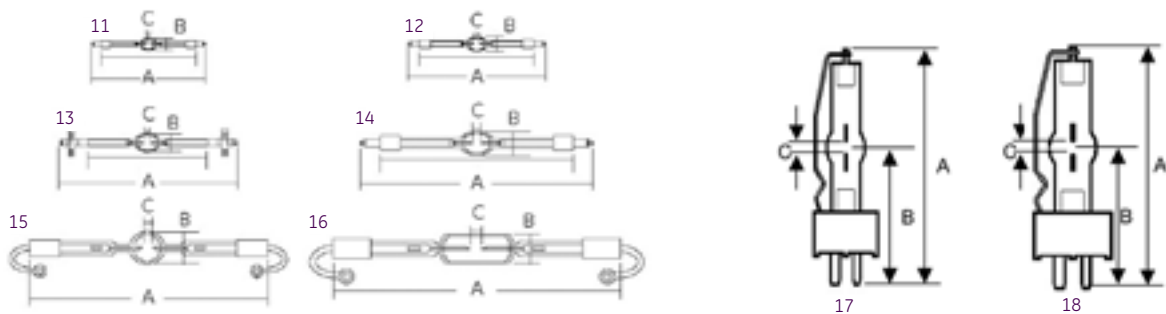
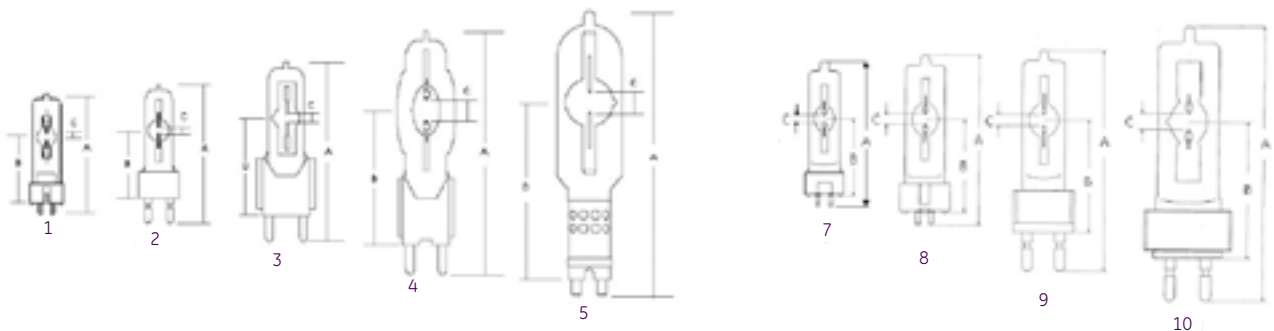


- Ra 75+
- 5600-6000 K
- Dimmable with stable colour
- High efficiency with excellent lumen maintenance

APPLICATIONS

Moving head & intelligent lighting systems, concerts & stage.

Type	Rated Power	Bulb	Base	Lumens	Burning position	Efficacy	Colour Temp.	CRI	Chromaticity Coordinates		Rated Voltage	Av. Rated Life	Dimension A	Dimension B	Dimension C	Figure no.	Pack qty.	Code		
	W			lm		lm/W	K	Ra	X	Y	V	Hrs	mm	mm	mm					
Single ended													MOL	LCL	Arc					
Cold start																				
CSRD250/2/SE	250	T7	GY9.5	18000	Any	72	8500	70+	0.287	0.296	94	2000	108	55	5	7	10	21328		
CSR575/2/T/SE	575	T9	GX9.5	49000	Any	85	7200	80+	0.302	0.320	97	1000	125	65	7	8	10	49492		
CSR575/2/SE	575	T9	GX9.5	49000	Any	85	7200	80+	0.302	0.320	97	1000	125	65	7	8	10	15378		
CSR700/2/SE	700	T9	G22	55000	Any	79	7200	80+	0.302	0.320	70	1000	155	75	8	9	10	49491		
CSR1200/2/SE	1200	T12	G22/30X53	110000	Any	92	7200	85+	0.302	0.320	100	800	175	85	10	10	6	49490		
SA																				
CSR700/SA	700	G7	GY9.5	58000	Any	82	5600	75+	0.330	0.342	70	500	85	39	4	17	10	15380		
CSR1200/SA	1200	G9	GY22	100000	Any	83	5800	80+	0.326	0.330	100	750	135	59	7	18	6	21849		
CSR2000SA	1800	G9	GY22	155000	Any	86	6000	80+	0.320	0.330	100	750	135	59	7	18	6	21801		
Hot restrike																				
CSR125/SE/HR	125	T5	GZX9.5	9400	Any	75	5600	90+	0.330	0.333	80	200	75	39	4	1	10	48461		
CSR200/SE/HR	200	T6	GZY9.5	15000	Any	75	5600	90+	0.330	0.333	70	200	80	39	5	1	10	48462		
CSR400/SE/HR	400	T6	GZZ9.5	32000	Any	80	6000	90+	0.323	0.328	70	750	110	60	6	1	10	21853		
CSR575/SE/HR	575	T9	G22	48000	Any	83	6000	90+	0.323	0.328	95	750	145	70	7	2	10	48463		
CSR800/SE/HR	800	T9	G22	64000	Any	80	6000	90+	0.325	0.327	95	1000	145	70	7	2	10	22495		
CSR1200/SE/HR	1200	T13	G38	110000	Any	92	6000	90+	0.323	0.328	100	750	200	107	10	3	6	48464		
CSR2500/SE/HR	2500	T20	G38	220000	Any	88	6000	90+	0.323	0.328	115	500	240	127	14	4	6	48465		
CSR4000/SE/HR	4000	T24	G38	380000	Any	95	6000	90+	0.323	0.328	200	500	260	142	24	5	6	48466		
CSR6000/SE/HR	6000	T26	G38	540000	Any	90	6000	90+	0.323	0.328	130	300	360	210	26	5	6	48467		
CSR12000/SE/HR	12000	T32	G38	1100000	Any	92	6000	90+	0.323	0.328	160	250	450	255	28	5	4	48468		
CSR18000/SE/HR	18000	T32	G51	1650000	Any	92	6000	90+	0.323	0.328	225	250	460	260	35	5	1	22946		
Double ended													MOL	Bulb	Arc					
CSR200/DE	200	T4.4	X515	16000	H15	80	6000	90+	0.323	0.325	80	300	75	14	8	11	10	48450		
CSR400/S/DE	400	T6.5	SFc 10-4 SI/M4	26000	Any	65	7500	80+	0.323	0.325	49	750	135	18	3	12	10	22478		
CSR575/DE	575	T6.5	SFc 10-4 SI/M4	49000	Any	85	6000	90+	0.323	0.325	95	750	145	21	7	12	10	48451		
CSR700/S/DE	700	T6.5	SFc 10-4 SI/M4	59000	Any	84	6000	85+	0.323	0.325	70	750	135	18	4	12	10	22493		
CSR1200/S/DE	1200	T6.5	SFc 10-4 SI/M4	110000	H15	92	6000	90+	0.323	0.325	100	750	135	18	7	12	10	48452		
CSR1200/DE	1200	T8.5	SFc 15.5-6 SI/M6	110000	Any	92	6000	90+	0.323	0.325	100	750	220	27	10	13	6	48453		
CSR2500/DE	2500	T9.5	Sfa21-12	240000	Any	96	6000	90+	0.323	0.325	115	500	355	30	14	14	6	48454		
CSR4000/DE	4000	T12	Sfa21-12	410000	H15	103	6000	90+	0.323	0.325	200	500	405	38	34	14	6	48455		
CSR6000/DE	6000	T16	25X51 Cyl 165mm	570000	H15	95	6000	90+	0.323	0.325	125	300	450	52	24	15	6	48456		
CSR12000/DE	12000	T22.5	30X70 Cyl 165mm	1100000	H15	92	6000	90+	0.323	0.325	160	300	514	72	32	15	4	48457		
CSR18000/DE	18000	T28	30X70 Cyl 165mm	1650000	H15	92	6000	90+	0.323	0.325	225	300	500	88	45	16	4	48459		
CSR18000/S/DE	18000	T28	30X70 Cyl 165mm	1650000	H15	92	6000	90+	0.323	0.325	225	300	470	88	45	16	4	48460		




Product code	GE Description	Osram description	Philips description
Single ended			
Cold start			
		HSR400	MSR400
49492	CSR575/2/T/SE		
15378	CSR575/2/SE	HSR575/2	MSR575/2
49491	CSR700/2/SE	HSR700/2	MSR700/2
49490	CSR1200/2/SE	HSR1200/2	MSR1200/2
			MSR1200
Hot Restrike			
48461	CSR125/SE/HR	HMI125W	MSR125/HR
48462	CSR200/SE/HR	HMI200W/SE	MSR200/HR
21853	CSR400/SE/HR	HMI400W/SE	MSR400/HR
48463	CSR575/SE/HR	HMI575W/SE	MSR575/HR
22495	CSR800/SE/HR		
48464	CSR1200/SE/HR	HMI1200W/SE	MSR1200/HR
48465	CSR2500/SE/HR	HMI2500W/SE	MSR2500/HR
48466	CSR4000/SE/HR	HMI4000W/SE	MSR4000/HR
48467	CSR6000/SE/HR	HMI6000W/SE	MSR6000/HR
48468	CSR12000/SE/HR	HMI12000W/SE	MSR12000/HR
22496	CSR 18000/SE/HR/G51		
Double Ended			
48450	CSR200/DE	HMI200W	
22478	CSR400/S/DE	HTI400W/D3/75	MSR400/SA/DE
48451	CSR575/DE	HMI575W/GS	MSI575
		HTI575W/D4/75	
22493	CSR700/S/DE	HTI700W/D4/60	
48452	CSR1200S/DE	HMI1200W/S	MSR1200/SA/DE
48453	CSR1200/DE	HMI1200W/GS	MSI1200
48454	CSR2500/DE	HMI2500W/GS	MSI2500
48455	CSR4000/DE	HMI4000W/GS	MSI4000
48456	CSR6000/DE	HMI6000W	MSI6000
48457	CSR12000/DE	HMI12000W/GS	MSI12000
48459	CSR18000/DE	HMI18000W	
48460	CSR18000S/DE		
Cold Start (CSD)			
		HSD200/60	MSD200
21328	CSD250/2/SE	HSD250/80	MSD250/2
		HSD575/60	MSD575
			MSD700
			MSD1200
SA			
		HTI405W/SE	MSR400/SA
15380	CSR700/SA	HTI705W/SE	MSR700/SA
21849	CSR1200/SA	HTI1200W/SE	MSR1200/SA
21801	CSR2000/SA	HTI1800W/SE	MSR2000/SA

This table provides a comparison of order information for users converting to GE products.

© General Electric Company 2005

GE Lighting is constantly developing and improving its products. For this reason, all product descriptions in this brochure are intended as a general guide, and we may change specifications time to time in the interest of product development, without prior notification or public announcement. All descriptions in this publication present only general particulars of the goods to which they refer and shall not form part of any contract. Data in this guide has been obtained in controlled experimental conditions. However, GE Lighting cannot accept any liability arising from the reliance on such data to the extent permitted by law.

 and General Electric are both registered trademarks of the General Electric Company

www.geconsumerandindustrial.com

contact@lighting.ge.com

Or contact your local GE sales office.



GE imagination at work