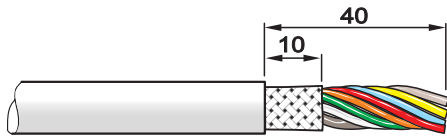




# ASSEMBLY INSTRUCTION

## etherCON | Ruggedized RJ45 Data Connector Chassis type with cable termination

(A)



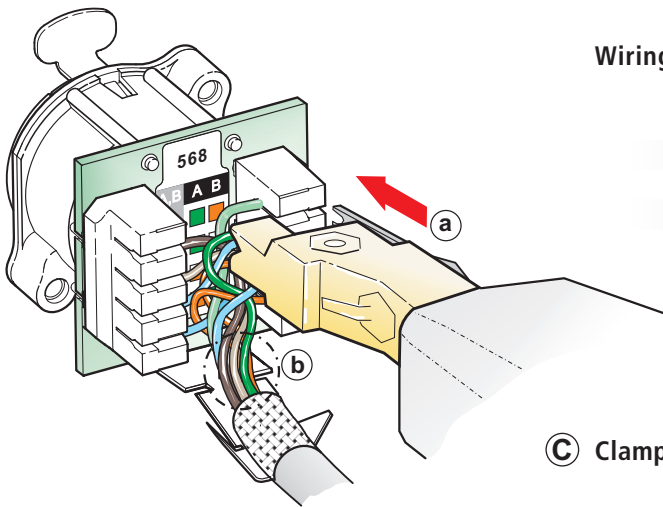
(A) Strip cable according to figure.

(B) (a) Terminate the wires with proper punch-down tool.

- Krone tool for NE8FAV-YK
- 110-tool for NE8FAV-Y110

(b) Take care that the untwisting of pairs does not exceed 13 mm.

(B)



Wiring:

568		#	
#	A B	A B	#
7	Br	Gr	2
8	Br	Wi/Gr	1
5	Wi/Bl	Wi/Or	3
4	Bl	Or	6

TIA 568A

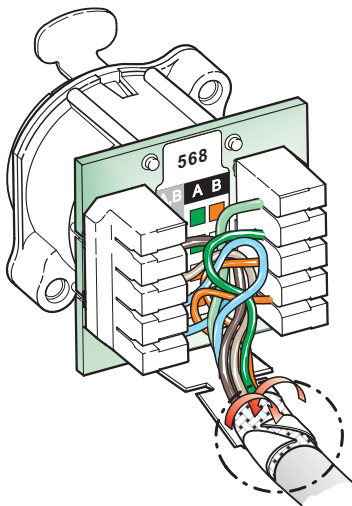
TIA 568B

TIA 568A		TIA 568B	
Wi/Br	Gr	Wi/Br	Or
Br	Wi/Gr	Br	Wi/Or
Wi/Bl	Wi/Or	Wi/Bl	Wi/Gr
Bl	Or	Bl	Gn

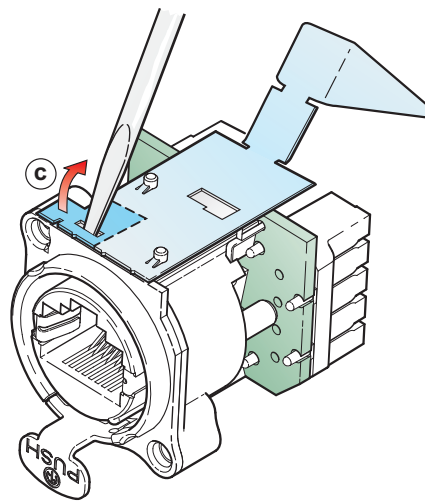
(C) Clamp cable shield onto shield plate.

(D) For isolated applications (no connection between shield and front panel) please remove precut piece (c).

(C)



(D)



NEUTRIK AG LI T: +423 / 237 24 24 F: +423 / 232 53 93  
 NEUTRIK Zürich AG CH T: +41 44 / 736 5010 F: +41 44 / 736 5011  
 NEUTRIK USA Inc. USA T: +1 732 / 901 9488 F: +1 732 / 901 9608  
 NEUTRIK (UK) Ltd. UK T: +44 1983 / 811 441 F: +44 1983 / 811 439

NEUTRIK Vertriebs GmbH DE/NL/AT T: +49 8131 / 280 890 F: +49 8131 / 280 830  
 NEUTRIK France FR T: +33 1 / 4131 6750 F: +33 1 / 4131 0511  
 NEUTRIK Tokyo Ltd. JP T: +81 3 / 3663 4733 F: +81 3 / 3663 4796  
 NEUTRIK Hong Kong Ltd. HK T: +852 / 2687 6055 F: +852 / 2687 6052

Draft. Nr.: BDA 110 / 3102M1141 | Update: 29.09.2009 | Data subject to change without prior notice. ©2009 NEUTRIK®. ALL RIGHTS RESERVED.

www.neutrik.com

**NEUTRIK**