



# ASSEMBLY INSTRUCTION

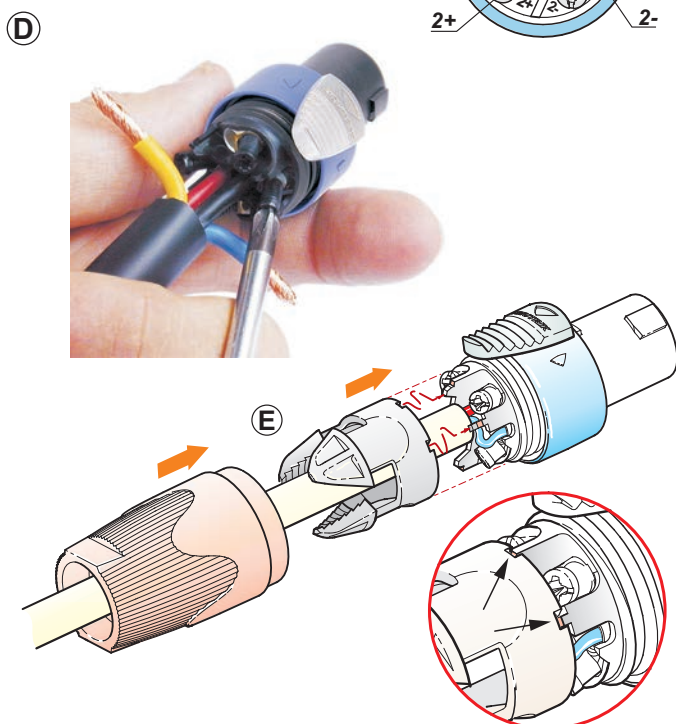
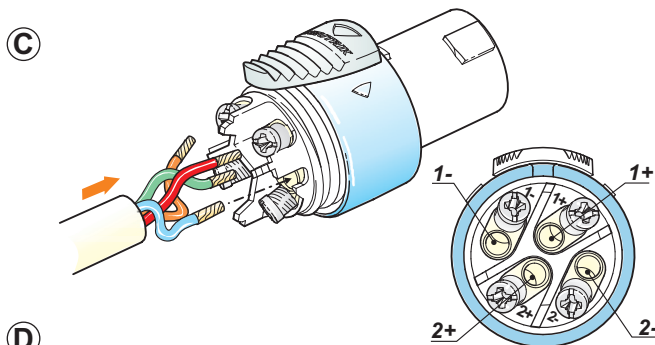
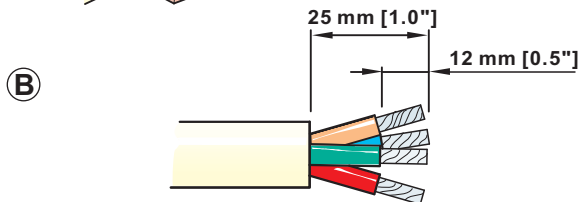
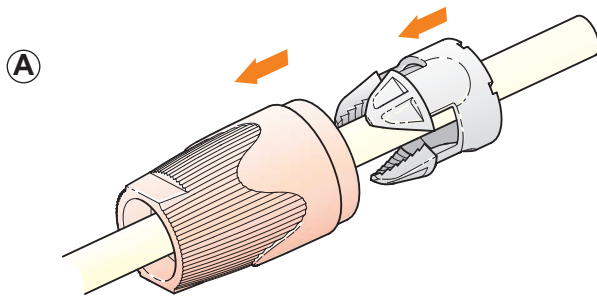
## NL4FX / NL4FRX

### speakON® SPX Series | Lockable Loudspeaker Connector

#### IMPORTANT SAFETY INSTRUCTION

Electrical Rating acc. UL & CSA:  
USR: 40A/250V, CNR: 25A/250V

“CAUTION: NOT FOR INTERRUPTING CURRENT”  
“ATTENTION: NE PAS UTILISER POUR COUPER LE COURANT”



#### Assembly of the Connector:

- A Place bushing and chuck over cable.
- B Prepare cable as shown.  
Important is the stripping length of 25 mm and 12 mm.
- C Insert wires into terminals and secure clamp terminals with screw driver (Pozidrive®).
- D For easy wiring especially on big cables, first screw on the inner contacts 1+ and 2+ and afterwards the outer contacts 1- and 2- !
- E Push chuck up to housing .  
**Important:** Align the chuck by positioning the nose into the recess.
- F Tighten the bushing

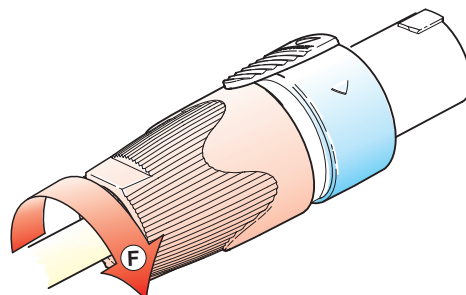
#### INFO to the screw driver:



**DO NOT USE!**

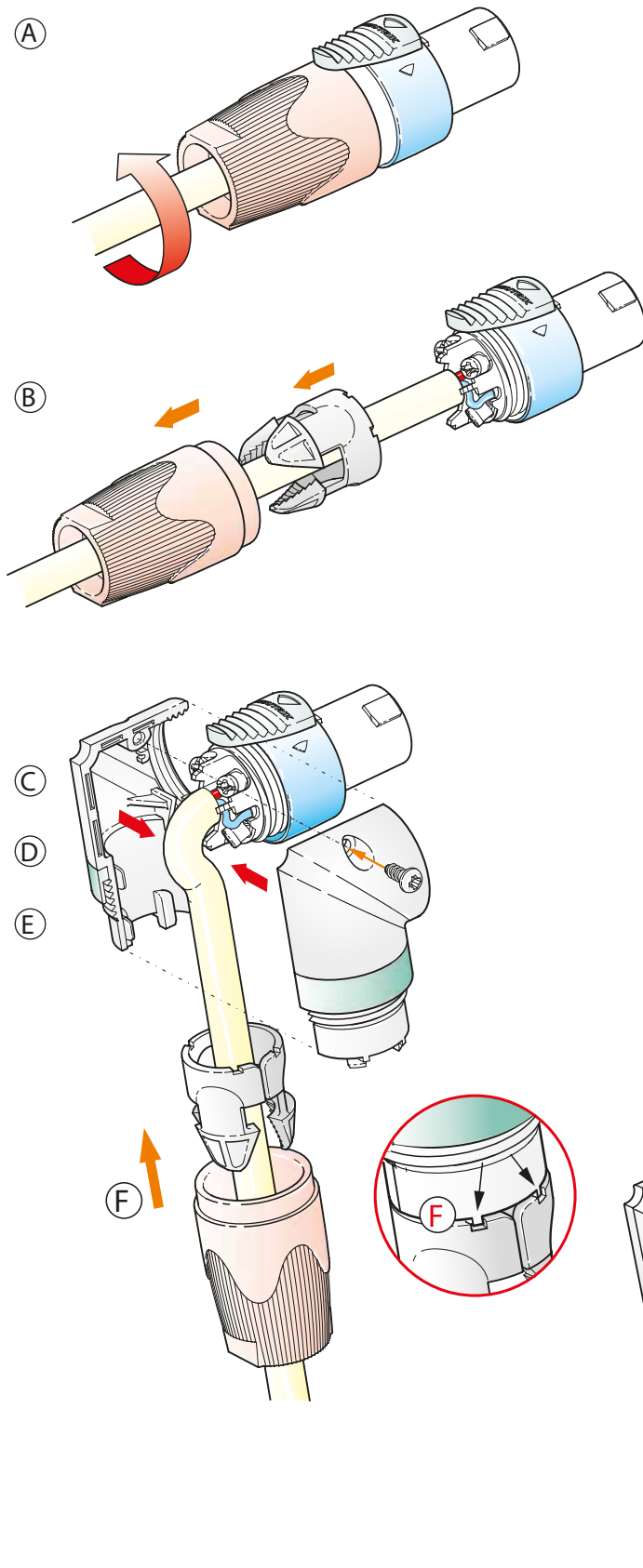
Pozidrive #1

Philips





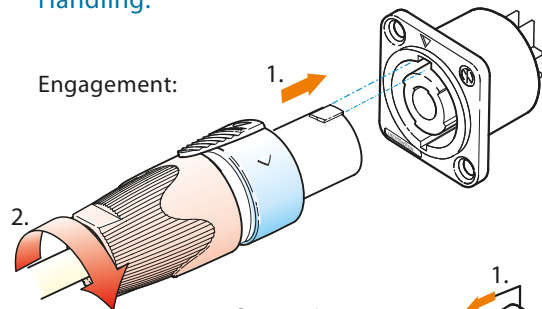
### Assembly of the Conversion Kit:



- (A) Open the bushing.
- (B) Slide the bushing and the chuck back.
- (C) Bend the cable as shown.
- (D) Position the two conversion shells to fit on the connector thread.
- (E) Press together and fix by screw.
- (F) Slide the chuck onto the housing and fasten the bushing.  
**Important:** Align the chuck by positioning the nose into the recess.

#### Handling:

Engagement:



Separation:

