

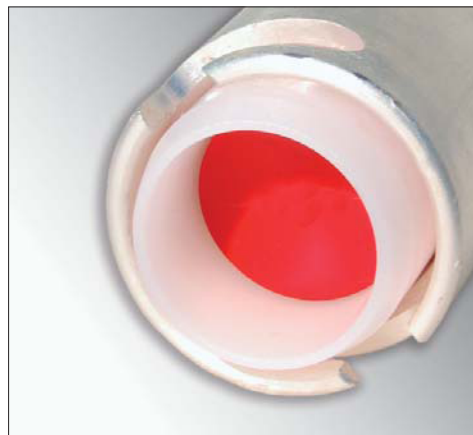
Power Link

The Power Link single pole connector series is designed for power distribution systems, offering the ultimate features in safety and reliability under the most severe operating conditions. Typical applications for Power Link include three-phase motors, generators, load banks and lighting distribution panels. Power Link connectors are also suitable for utility companies and heavy industry environments. Power Link connectors are designed and tested to comply with European and US electrical safety standards and specifications. They are available in 400 A and 660 A versions.

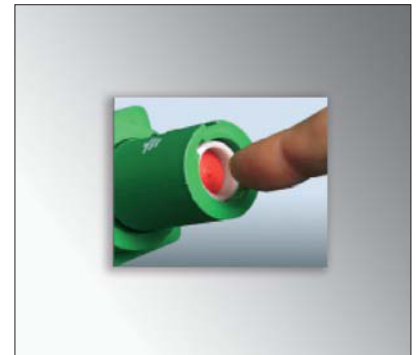
- Secondary locking: to prevent accidental disconnection
- Dead front contacts: insulated nylon tip on the live contact prevents accidental handling.
- High impact insulators: glass filled nylon insulators prevent damage due to mishandling and guarantee a high degree of insulation, with maximum resistance to oil, fuel, acids and water.
- Multipoint contact: 23 sprung contact element grants a minimum insertion force and guarantees multiple points of contact, ensuring minimal power loss.
- Integral location keys: each connector type is individually keyed to eliminate the possibility of accidental cross mating.
- Color coded: insulators are supplied as with standard color identification codes.
- Waterproof: IP 67 rated sealing when mated.



The Power Link connector series has permanent integral keys which prevent the accidental connection of dissimilar types (e.g. Earth and line 1). Each connector type has a unique keyed position. Visual identifications are easily made by means of the color insulators.



The sole locking system featuring the connection of the protected contact purely on metal parts

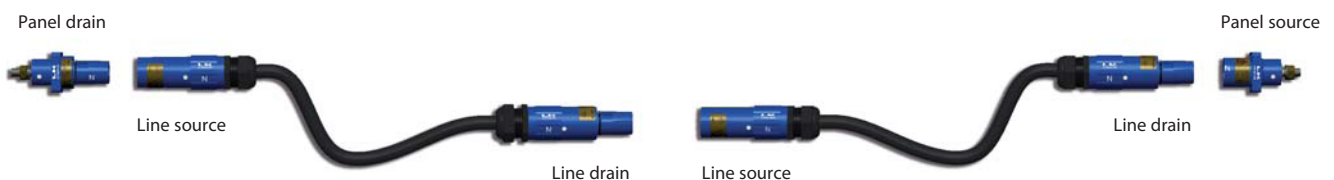


The drain protected connector features a patented double protection to prevent accidental touch of the drain contact under load. The drain contact must be unlocked supplying uniform pressure on the entire Teflon part (by means of the female connector).

The secondary locking pin can be unlocked through the Pin Key using only one hand.



STANDARD WIRING





POWER
Link

CE

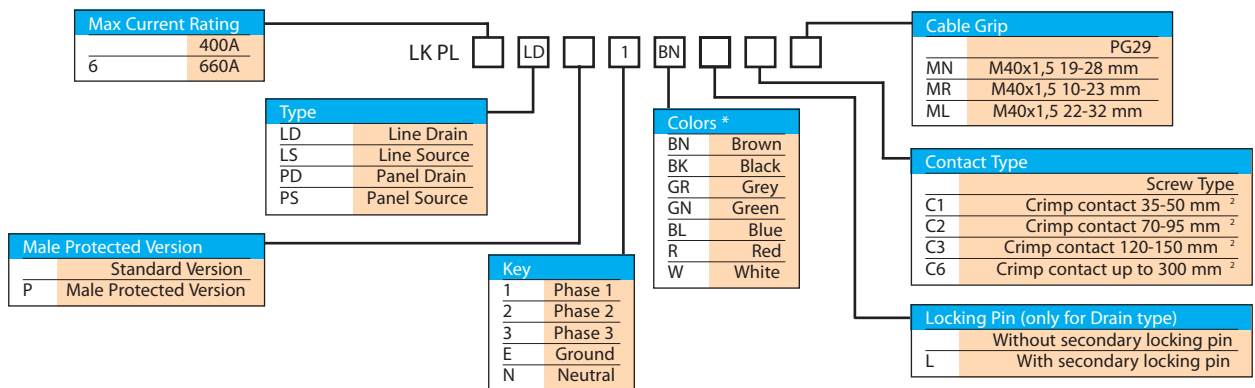


Technical data

Max Current Rating	400 A	660 A
Minimum Flashover	9.5 kV dc or ac	9.5 kV dc or ac
Maximum Rated Voltage to Earth	2 kV ac/3kV dc	2 kV ac/3kV dc
Operating Voltage	600 Vac	600 Vac
Operating Temperature	-30 to 125 C°	-30 to 125 C°
Insulation Resistance	>5 M Ω/500 Vdc	>5 M Ω/500 Vdc
AWG/mm ²	2-4/0 33.6-107.2	6/0 170.3
Threaded M 12 Torque Maximum	12.0 Nm	12.0 Nm
IP Rating (mated condition)	IP 67	IP 67
Operating Cycles	500 minimum	500 minimum

	GROUND KEY 1	NEUTRAL KEY 2	LINE 1 KEY 3	LINE 2 KEY 4	LINE 3 KEY 5
EUROPE HD 308 S2	GN	BL	BN	BK	GR
U.S.A.	GN	W	BK	R	BL

How to order Connectors



Accessories

Pin Key



LK PL KEY

Pin Key

Dust caps

Only available for EU HD 308 S2 version



LK PL TPD* Drain
LK PL TPS* Source



Spare parts



LK PL LOCK
Drive pin

LK PL R*
Compression sleeve
*35 (35 mm²)
*50 (50 mm²)
*70 (70 mm²)
*95 (95 mm²)
*120 (120 mm²)