

CDM380

Professional cable reel Ø 380 x 196 mm



The CDM380 is a cable reel designed for intensive and professional use constructed using lightweight, extremely strong and impact resistant materials. The frame construction is made of polycarbonate (PC) materials while the drum is made of impact resistant polyethylene (PE).

The lightweight construction in combination with the ergonomic grip allows easy carriage for mobile applications. The front side is fitted with an external cable winder allowing easy and clean winding of a patch tail, which can be replaced by a variation of optional center plates with different connector cutouts. (depending on the application)

The drum dimension of Ø380 mm allows winding of a standard microphone cable (Ø6.5mm) up to 300 meters.



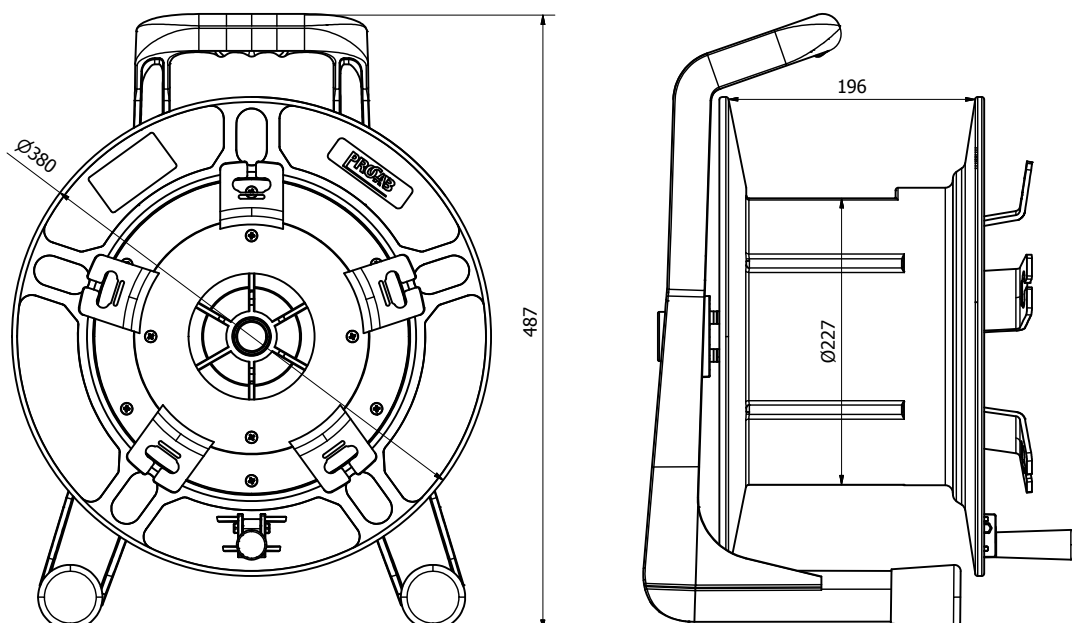
- RENTAL
- MOBILE
- STAGE

Physical Characteristics	
Width	380 mm
Height	487 mm
Depth	234 mm
Drum inner diameter	Ø 230 mm
Drum outer diameter	Ø 380 mm
Drum depth	196 mm
Weight	4.0 Kg
Construction materials	Sturdy polycarbonate frame Impact resistant polyethylene drum
Features	Ergonomic grip Front flange with cable winder Locking brake

Ordering & packaging		
CDM380	Cable reel w ext. cable winder	Carton box

Recommended accessories	
Center plate with 1 x D-size connector hole	CRP301
Center plate with 2 x D-size connector hole	CRP302
Center plate with 4 x D-size connector hole	CRP304
Center plate with 8 x D-size connector hole	CRP308
Center plate with 10 x D-size connector hole	CRP310
Center plate with 4 x power connector hole	CRP340
Center plate with 2 x power & 4 x D-size hole	CRP342
Center plate with D-sub (SVGA) connector hole	CRP350
Center plate with 4 x French power socket	CRP244F
Center plate with 4 x German power socket	CRP244G

Technical drawing



Additional specifications



CDM380 Cable capacity	
3 mm Ø OD	1400 meter
4 mm Ø OD	800 meter
5 mm Ø OD	500 meter
6 mm Ø OD	350 meter
7 mm Ø OD	260 meter
8 mm Ø OD	200 meter
9 mm Ø OD	155 meter
10 mm Ø OD	125 meter
11 mm Ø OD	105 meter
12 mm Ø OD	90 meter
13 mm Ø OD	75 meter
14 mm Ø OD	65 meter
15 mm Ø OD	55 meter