



We thank you for choosing the projector STAGE PRO SPOT 650/1000/1200 FRESNEL.

To make the most of this unit and to make it work correctly in the years, before connecting it to its source and using it, we suggest you to carefully read this manual.

In this way you will be more familiar with it and its connections and will be easier to use it.

All the sections of this manual have been studied to make as easy and complete as possible the use of the STAGE PRO SPOT 650/1000/1200 FRESNEL.

To make the manual more clear and easy to consult, we have used the following symbols and conventions:



**IMPORTANT**

very important warnings, to be read with the maximum attention;



important parts of the text that give details and/or explanations on the use of the STAGE PRO SPOT 650/1000/1200 FRESNEL.



practical advices for an efficient use of the STAGE PRO SPOT 650/1000/1200 FRESNEL.

#### YOUR REFERENCE

Cite the model and the serial number anytime you contact your retailer to ask for information or assistance.

#### STANDARD PACKAGE

The standard package of the projector STAGE PRO SPOT 650/1000/1200 FRESNEL contains:

- 1) Projector
- 2) Mains connector
- 3) User's manual
- 4) Guarantee
- 5) Colour frame

ON REQUEST:

- \* Lamp (code 060261)
- \* 4-Leaf barndoors (code 040102)
- \* Black clamp Ø50 (code 194019)
- \* Spare colour frame (code 040099)



**IMPORTANT**

Make sure that the unit has not been damaged during the transportation.

In case it has happened or in case the unit does not work correctly, immediately contact the Retailer.

If the unit has been directly sent to you, immediately contact the Freight Company.

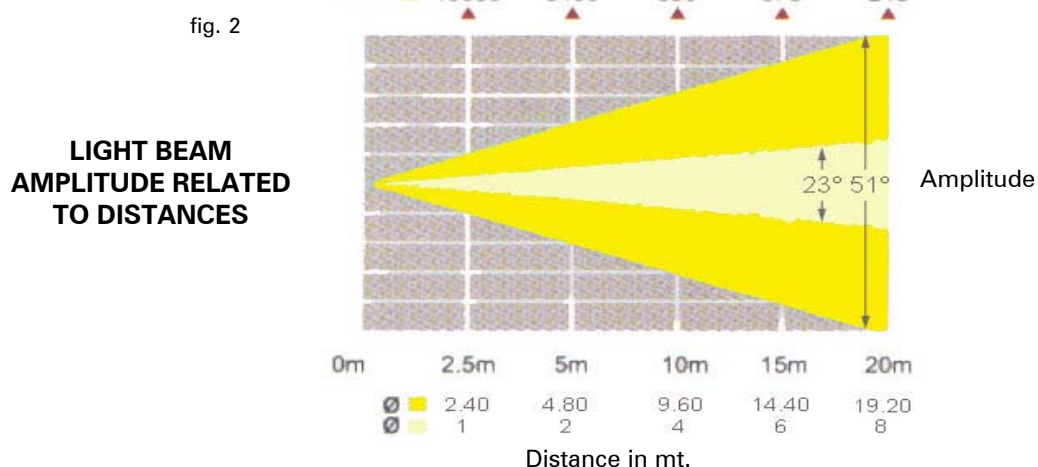
Only the final receiver (the person or the Company that receive the unit) is in the position to complain for the above inconveniences.

The safety of the unit is guaranteed only strictly following the instructions, so it is recommended to accurately preserve them.

User's manual  
product code: 991188

# TECHNICAL FEATURES

<b>LAMP</b>	Halogen 650/1000/1200 W GX 9.5
<b>LAMP MOVEMENT</b>	With endless screw.
<b>VERTICAL MOVEMENT</b>	+ 90°/- 45° Manual orientation (Fig. 1).
<b>LIGHT BEAM AMPLITUDE</b>	Refer to Fig. 2
<b>INPUT POWER</b>	<ul style="list-style-type: none"> <li>Nominal operating voltage: 230 Vac; 50 Hz.</li> <li>Rated power supply: 650/1000/1200 W.</li> <li>Nominal current: 2.8/4.3/5.2 A (230 Vac).</li> </ul>
<b>WORKING POSITION</b>	Any position.
<b>DIMENSIONS (W x D x H)</b>	mm. 290 x 370 x 400 (Fig. 1).
<b>WEIGHT</b>	Kg. 6
<b>BODY</b>	Steel and aluminium.



# WARNINGS

- ! Do not dismantle and modify the unit.
- ! Always make sure that you are using a safety chain (fig. 4).
- ! Do not install the unit outdoors directly exposed to rain or moisture.
- ! To avoid any inflammable liquids, water or metal objects entering the unit.
- ! To avoid installing the unit close to heat sources. Never to lean the connecting cable on the hot unit.
- ! The unit must be at a minimum distance of 30 cm. from the walls or from any inflammable material and 1 mt. from lighted objects.
- ! The unit must be placed where it could be easily aerated. To avoid obstructing the in/out air gratings.
- ! Do not directly look at the Lamp when it is on.

**STAGE PRO SPOT**  
**650/1000/1200 FRESNEL**  
**CODE 991188**

## ASSEMBLING

**!** Before installing the STAGE PRO SPOT 650/1000/1200 FRESNEL, make sure that the carrying structure is safe and able to support the weight of the unit.

The STAGE PRO SPOT 650/1000/1200 FRESNEL is equipped with a bracket with a hole in the middle (diam. 10 mm.) to fix clamps and/or screw bolts (fig. 1 and 4).

To orientate the unit follow these instructions:

- 1) Unscrew the Manual Orientation Knob on the side of the unit (fig. 1);
- 2) Orientate the unit using the apposite handle at the back (fig. 4);
- 3) Screw the Manual Orientation Knob.

- It is possible to turn the bracket up or down.

**!** At the end of the assembling operations make sure that the unit has been correctly and safely fixed.

## FIXING THE COLOUR FRAME AND THE 4-LEAF BARNDOORS

The STAGE PRO SPOT 650/1000/1200 FRESNEL is already equipped with the Colour Frame (fig. 1 and 5).

To insert the filter in the Colour Frame, follow these instructions:

- 1) Unhook the clamping lever on the left side of the unit (fig. 1 and 4);
- 2) Take off the Colour Frame and insert the filter;
- 3) Take off the spring clip, insert the filter and put back the spring clip;
- 4) Put back the Colour Frame in its room making it sliding on its track.



It is recommended to use only filters with an high temperature resistance.

To fix the 4-Leaf Barndoors (on request - fig. 3) follow these instructions:

- 1) Unhook the clamping lever on the left side of the unit (fig. 1 and 4);
- 2) Insert the 4-Leaf Barndoors in its room making it sliding on its track.



fig. 3

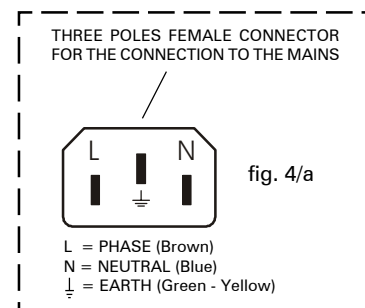
CODE 040102

## CONNECTION TO THE POWER SUPPLY



fig. 4

	SRL	ITALY	cod. 991188	
TYPE	STAGE PRO SPOT 650/1000/1200 FRE.			
Volt	230	Hz	50	
Watt	1000	Amp.	4.3	
Socket	GX 9.5	Lamps	H. 1000W	
Weight	6	Max. Temp.	50°C	
Serial No	01/03			



### IMPORTANT

**The unit must be connected to the earth. The inobservance of these instructions automatically makes the guarantee expiring.**

Before connecting the unit to the mains, make sure that the working voltage and frequency correspond to the values indicated on the label (fig. 4).

The STAGE PRO SPOT 650/1000/1200 FRESNEL is made to work at a working voltage of 230V 50Hz; 2.8/4.3/5.2 A (depending from the Lamp).

The unit mains connections are described in fig. 4/a.

**STAGE PRO SPOT  
 650/1000/1200 FRESNEL  
 CODE 991188**

## FITTING AND REPLACING THE LAMP



### IMPORTANT

In case of replacement of the Lamp or maintenance, never open the unit unless it has been passed at least 15 minutes after it went off.

- 1) Disconnect the unit before replacing the Lamp. Always wear protective gloves and goggles.
- 2) Turn the key at the bottom of the unit, for a quarter of turn left to right (fig. 5).
- 3) Open the cover (fig. 4 and 5).
- 4) Fit the new Lamp in its socket not forcing too much (fig. 5).

- ! Take care of not touching the glass of the new Lamp with the nude hands; in case it accidentally happens, clean the Lamp bulb with a dry cloth and alcohol.
- 5) Close the cover, turning the key for a quarter of turn right to left.



To avoid any bad performance of the unit or the Lamp breakage damaging the optics of the STAGE PRO SPOT 650/1000/1200 FRESNEL, replace the lamp as soon as its maximum average time ends. The lens must be replaced when it is evidently damaged and if its efficiency has been reduced, for example from slits or deep cuts.



fig. 5

## LIGHT BEAM REGULATION

Correct regulation of the light beam:

- Turn the knob placed on the rear part of the unit (fig. 4);
- Turning the knob from right to left the light beam amplitude is reduced, from left to right it is enlarged.

## MAINTENANCE

! Before operating any maintenance disconnect the mains.

For operating a correct maintenance of the STAGE PRO SPOT 650/1000/1200 FRESNEL follow these instructions:

- 1) Periodically clean the in/out air grates;
- 2) Periodically clean the lens and the reflecting parabole (fig. 5) using antistatic cloths and products.

! Do not absolutely use solvents or abrasive products.