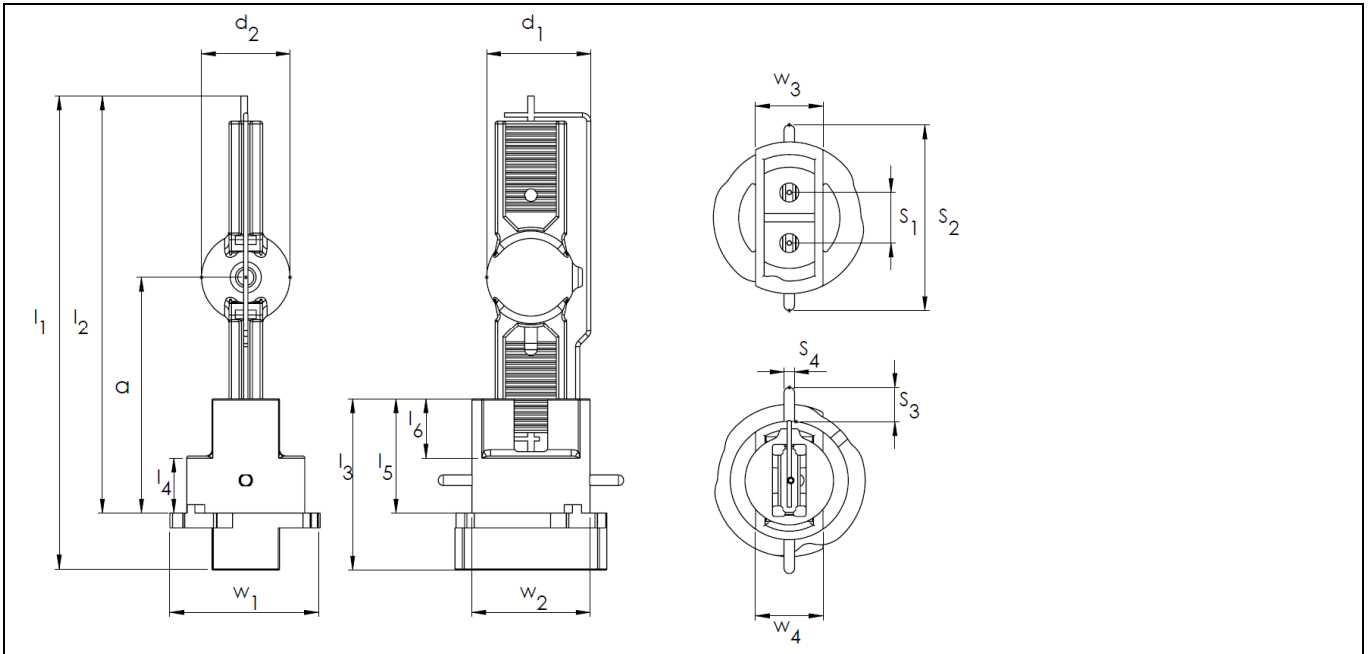




■ Product description

The OSRAM Lok-it® 1000/PS Brilliant (Power Series - High CRI) is a highly efficient, single-ended short-arc metal halide lamp with 6000 Kelvin colour temperature. On respective electronic power supplies, it could be operated from 800W<sup>1</sup> to 1000W<sup>2</sup>. The new Lok-it® plug'n'play system allows a quick one-touch lamp replacement. It is very compact and hence allows cold start of the lamp only. Featuring OSRAM's XS-Technology, the lamp stands pinch temperatures up to 450°C.



■ Technical data lamp

Order reference	Lok-it!®	1000/PS Brilliant	Bulb diameter $d_2$	mm	21
Ignition voltage	kV <sub>s</sub>	5 / 7 (max)	Bulb diameter $d_1$ (incl. current bar)	mm	25
Rated lamp wattage	W	1000	Base height part $l_4$	mm	13,5
Rated lamp voltage	V	85 ± 10V	Base height part $l_5$	mm	27
Rated lamp current (-)	A	11,8 (max.13,6)	Base height part $l_6$	mm	13,5
Luminous flux	lm	82.000 (min. 78.000)	Base plate diameter $w_1$	mm	36
Luminous efficacy	lm/W	82	Base neck width $w_2$	mm	28
Color temperature	K	5.900 (+ 500/ - 400)	Base handle width $w_3$	mm	16
Color rendering index	Ra	>90	Base neck width $w_4$	mm	16
Average service life	h	750	Base pin inner distance $s_1$	mm	12
Light arc length	mm	5,5	Base pin outer distance $s_2$	mm	43,5
Lamp length (overall) $l_1$	mm	112 (max.112,5)	Base pin length $s_3$	mm	8
Lamp length $l_2$	mm	99	Base pin width $s_4$	mm	2,5
LCL a	mm	56 ± 1	Base (pre-focus/bayonet)	PGJ36 Lok-it!®	
Base height (overall) $l_3$	mm	40			

<sup>1</sup> Lamp operation at reduced power of min. 800W possible, but life time behavior and initial values can be altered or deteriorate.

<sup>2</sup> Rated lamp power

## Technical Information

No. DO

Edition: 11/15 - subject to change

Supersedes: initial release

Status: approved



plug'n'play Metal Halide Lamp

# Lok-it!<sup>®</sup> 1000/PS Brilliant

## ■ Lamp operation

Maximum pinch seal temperature allowed                      °C                      450 / with eXtreme Seal Technology (measured at welding point)

.....  
Cooling    forced cooling / fan required  
.....

Burning position    any  
.....

The Lok-it!<sup>®</sup> 1000/PS Brilliant is designed to be operated on electronic power supplies (ECG) only.

## ■ Manufacturers of igniters and control gear (not all officially approved by OSRAM)

### Ballast:

Schiederwerk PVG 12-14 SH

Schiederwerk PVG 12-15

Schiederwerk ELD 10-10

### Ignitor:

Schiederwerk KZG 15-5

Schiederwerk KZG 17-5